



YGB/YGBS 系列管道风机

管道风机系列

声级

性能曲线中所示的噪声是管道系统出口处的声功率级 $L_{W0}A$ ，是一个“A”分贝值。

进口处的 A 声功率级 $L_{W1}A$ 根据 GB/T 2888-2008 第 38 节规定的方法测定，可通过相对声功率级计算或近似采用下列公式：

$$L_{W1}A \approx L_{W0}A - 6 \text{ dB}$$

机壳声功率级 L_{WA2} 根据 GB/T 2888-2008 规定的方法测定，可通过相对声功率级计算或近似采用下列公式：

$$L_{WA2} \approx L_{W0}A - 17 \text{ dB} \text{ 适用 YGB 系列风机}$$

$$L_{WA2} \approx L_{W0}A - 25 \text{ dB} \text{ 适用 YGBS 系列风机}$$

L_{PA} 是距离声源 1 米处 A 声压级，可从声功率级中减去 7dB 近似计算得到：

$$L_{PA(1m)} \approx L_{WA2} - 7 \text{ dB}$$

但是，A 声压级会随反射，测试室的特性及固有频率的变化而变化。为了避免刚性传导对管道系统的影响，故推荐使用软连接。

说明

- 1) 风机配用电机功率是指在特定工况下，轴功率加上电机容量安全系数而言，并非出风口全开时所需的功率，因此为防止电机因超功率运转而烧毁，严禁风机未加任何外界阻力进行空运转。
- 2) 样本中的风机性能是选用电机额定转速测试的结果，我们亦可通过改变电机的转速达到用户实际的需求。
- 3) 风机在运输、装卸过程中应小心轻放，严禁撞击挤压，严禁堆放于潮湿或有腐蚀性的场合。
- 4) 风机安装前应用手拨动叶轮，检查是否有过紧或碰撞现象，确认没有这些现象时方可进行试运转。
- 5) 风管与风机进风口、出风口之间连接时应尽量采用软连接，接头不得拉得过紧。
- 6) 风机安装后应检查机壳和其他壳体内部，不应有掉入遗留的工具和杂物。
- 7) 风机正式运转前，需检查叶轮的转向是否符合侧板上的转向标记。

Noise Levels

The figures quoted in the performance curves are the "A" decibel figures which are the sound power levels $L_{W0}A$ at the outlet side in duct systems.

The "A" sound power level at the inlet side $L_{W1}A$, according to GB/T 2888-2008 part 38, can be calculated via the relative sound power levels or is obtained approximately as follows:

$$L_{W1}A \approx L_{W0}A - 6 \text{ dB}$$

The "A" sound power level L_{WA2} , from the casing according to GB/T 2888-2008 can be calculated via the relative sound power levels or is obtained approximately as follows:

$$L_{WA2} \approx L_{W0}A - 17 \text{ dB, for YGB}$$

$$L_{WA2} \approx L_{W0}A - 25 \text{ dB, for YGBS}$$

The "A" sound pressure level L_{PA} at a distance of 1 meter is obtained approximately by deducting 7 dB(A) from the "A" sound power level:

$$L_{PA(1m)} \approx L_{WA2} - 7 \text{ dB}$$

Note that the reflection, room characteristic and natural frequencies will influence the sound pressure levels.

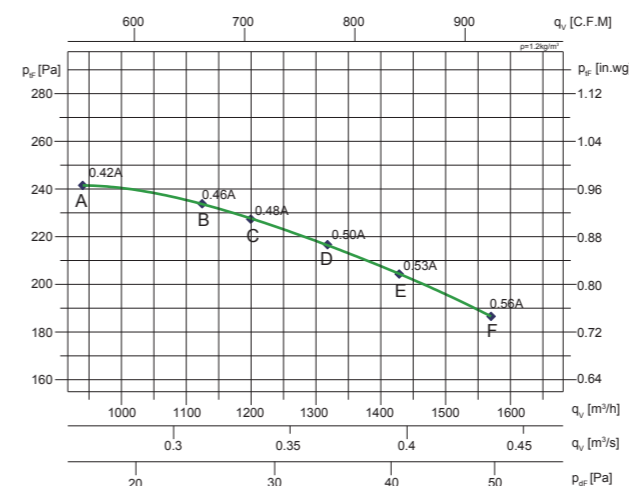
To avoid rigid conduction transfer to the duct system, we recommend to use the flexible duct connection.

Instructions

- 1) The motor power is calculated from the Bhp plus the safety factor, so to avoid the motor burn and damage, the fan shall not operate at type A condition. (i.e. free inlet, free outlet)
- 2) The fan performance in the catalog is tested under the rated motor speed, we can meet the actual requirement of the user by changing the motor speed.
- 3) During transportation, loading and unloading, all fans shall be handled carefully to avoid damaging. the fans shall store in a dry, clean and non-toxics area.
- 4) Before commissioning and operating, the impeller should be turned by hand to ensure that it turns freely without colliding with other parts of the fan.
- 5) When the duct is connecting to the inlet and the outlet of the fan, a flexible connector shall be used in between.
- 6) Check and clean the housing of the fan, to ensure than there is no sundry inside the housing.
- 7) Before operating, check the rotational direction of the, to ensure than the rotation direction is same as the label shown on the fan.

技术参数

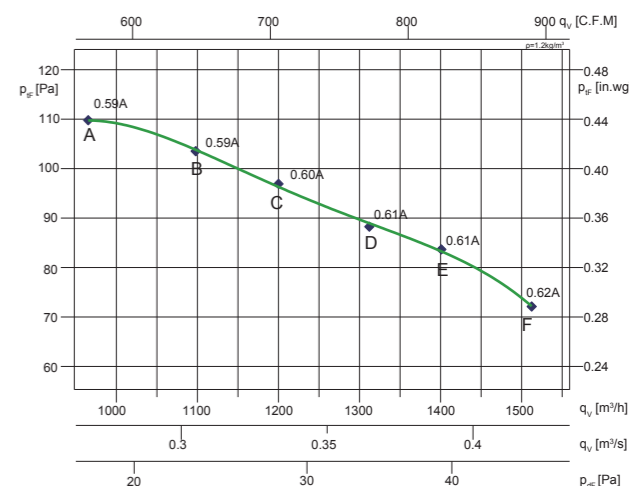
YGB/YGBS 200 I 0.18kW-4P



Type:	m: 15 kg	P_N : 0.18kW-4P						
YGB/YGBS 200 I	U: 380 v	f_1 : 50HZ						
	I_N : 0.56 A	IP: IP54						
Duty point	125Hz	250Hz	500Hz	1kHz	2kHz	4kHz	8kHz	L_{WA} dB (A)
A	55.2	62.9	64.5	69.6	66.0	64.1	55.5	73.2
B	53.8	62.0	65.9	71.1	67.5	66.0	57.8	74.6
C	54.1	63.0	67.0	74.6	69.3	68.1	60.5	77.1
D	54.1	63.2	67.4	75.4	70.3	69.3	62.1	77.5
E	54.1	63.4	67.8	75.4	70.3	69.3	62.1	78.1
F	55.2	64.4	68.8	74.6	71.7	70.8	64.0	78.4

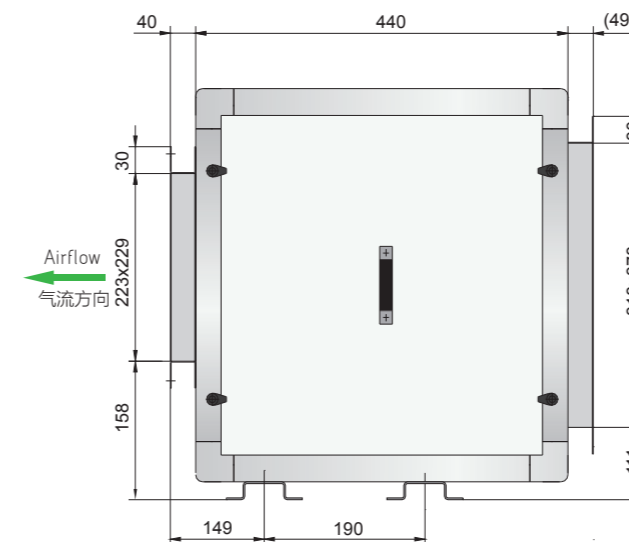
Technical Data

YGB/YGBS 200 I 0.18kW-6P

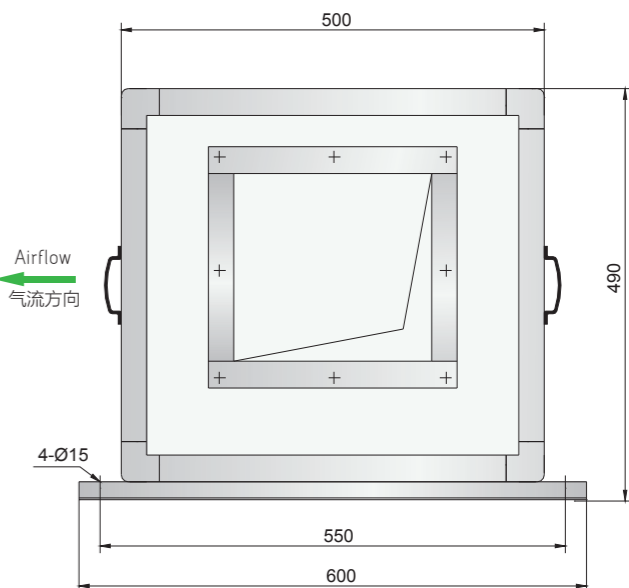


Type:	m: 15 kg	P_N : 0.18kW-6P						
YGB/YGBS 200 I	U: 380 v	f_1 : 50HZ						
	I_N : 0.79 A	IP: IP54						
Duty point	125Hz	250Hz	500Hz	1kHz	2kHz	4kHz	8kHz	L_{WA} dB (A)
A	46.2	55.2	58.7	63.0	60.5	58.6	49.9	67.0
B	46.6	56.2	58.7	62.6	59.2	56.2	46.0	66.3
C	50.6	59.1	61.5	65.2	63.1	61.5	52.6	69.7
D	52.3	60.4	62.8	66.5	64.5	63.4	54.9	71.1
E	52.8	62.4	64.8	69.1	67.2	66.1	58.5	73.6
F	54.4	63.3	65.9	70.4	68.5	67.6	60.2	74.9

YGBS外形及安装尺寸



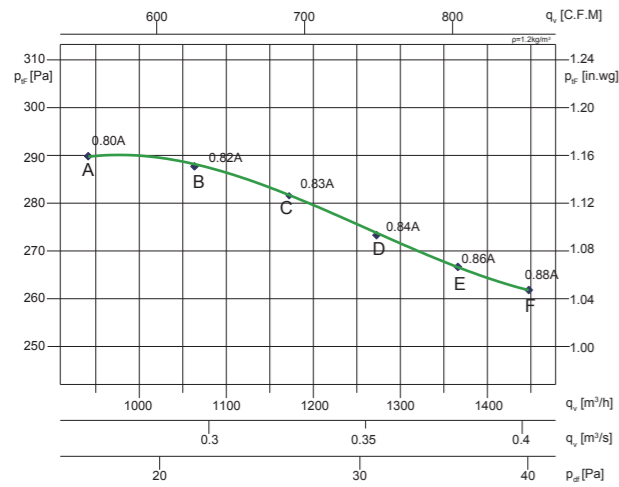
YGBS Overall Size



技术参数

Technical Data

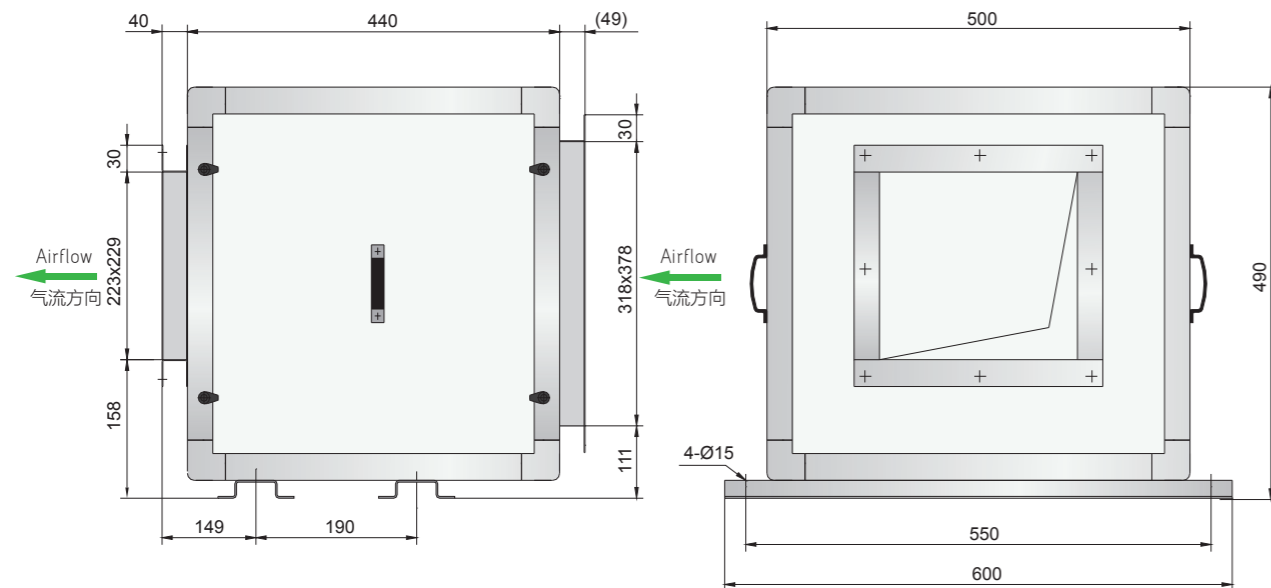
YGB/YGBS 200 I 0.25KW-4P



Type: YGB/YGBS 200 I	m: 15 kg	P _N : 0.25kW-4P						
	U: 380 v	f _i : 50HZ						
	I _N : 0.88 A	IP: IP54						
Duty point	125Hz	250Hz	500Hz	1kHz	2kHz	4kHz	8kHz	L _{wa} dB (A)
A	53.6	62.9	63.3	68.4	64.7	62.8	61.6	72.1
B	53.5	62.1	64.0	69.1	65.5	63.7	58.7	72.8
C	53.3	61.6	64.7	69.9	66.3	64.6	57.3	73.4
D	54.0	62.0	65.4	70.6	67.1	65.5	56.2	74.1
E	54.7	62.4	66.0	72.4	67.9	66.6	55.0	75.4
F	55.4	62.8	67.4	75.0	69.9	68.8	53.9	77.6

YGBS外形及安装尺寸

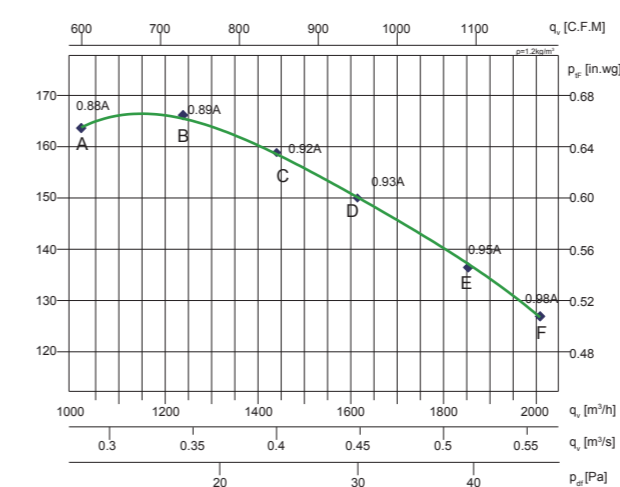
YGBS Overall Size



技术参数

Technical Data

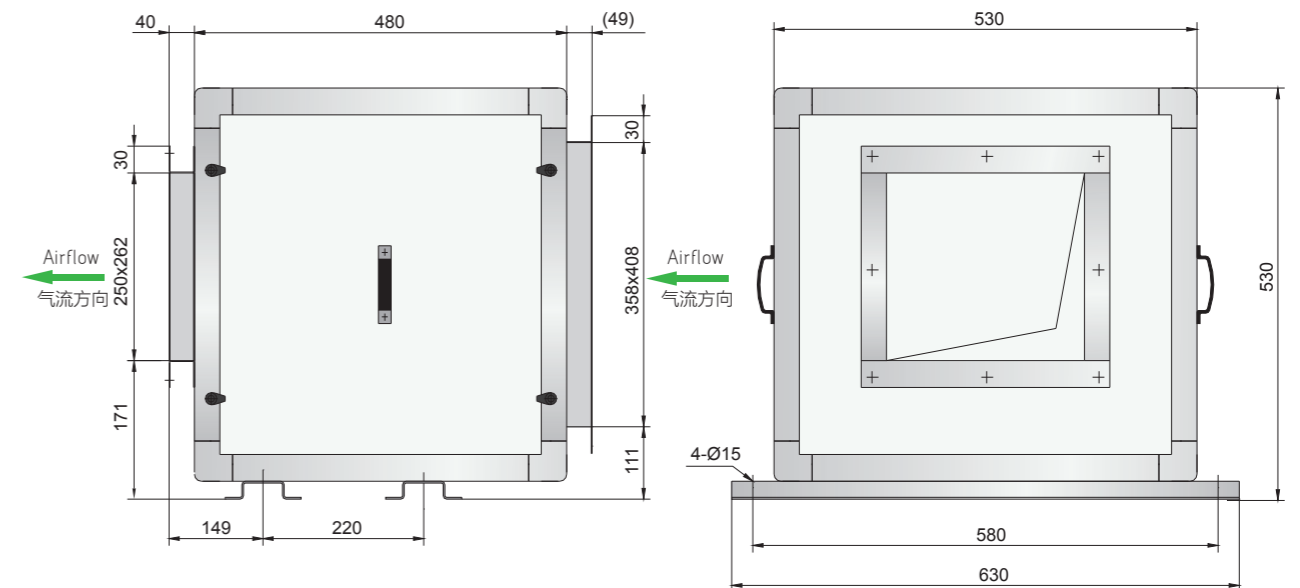
YGB/YGBS 225 I 0.25KW-6P



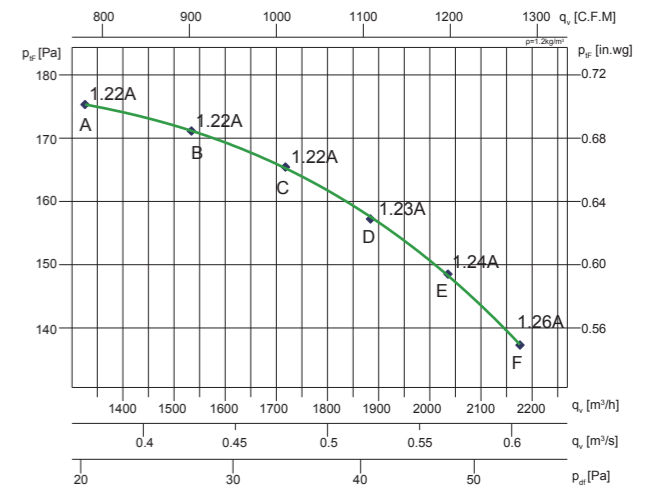
Type: YGB/YGBS 225 I	m: 17.6 kg	P _N : 0.25kW-6P						
	U: 380 v	f _i : 50HZ						
	I _N : 1.04 A	IP: IP54						
Duty point	125Hz	250Hz	500Hz	1kHz	2kHz	4kHz	8kHz	L _{wa} dB (A)
A	51.4	60.0	61.2	64.9	60.5	58.8	59.6	69.2
B	52.5	61.6	63.2	66.7	62.4	60.1	59.6	70.8
C	52.1	62.9	65.5	68.4	64.8	69.0	59.7	73.9
D	53.5	64.9	67.5	70.1	67.0	65.7	60.5	74.6
E	55.1	66.6	70.2	73.6	69.5	68.6	62.2	77.1
F	56.8	67.9	71.9	74.2	71.2	70.5	63.7	78.8

YGBS外形及安装尺寸

YGBS Overall Size



YGB/YGBS 225 I 0.32KW-6P



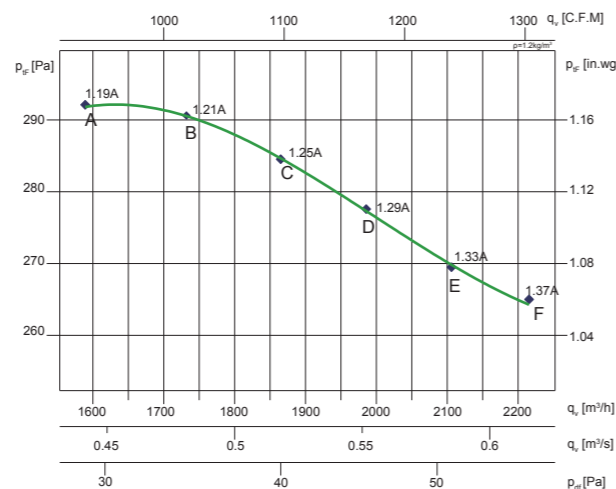
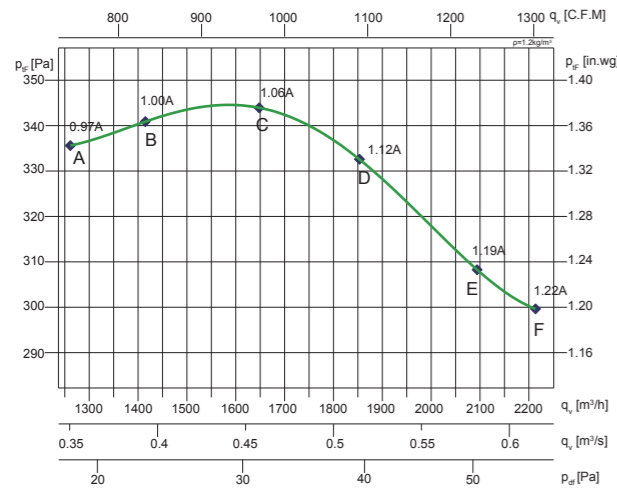
Type: YGB/YGBS 225 I	m: 18.9 kg	P _N : 0.32kW-6P						
	U: 380 v	f _i : 50HZ						
	I _N : 1.29 A	IP: IP54						
Duty point	125Hz	250Hz	500Hz	1kHz	2kHz	4kHz	8kHz	L _{wa} dB (A)
A	52.1	61.2	62.8	66.4	62.1	59.7	59.3	70.5
B	51.8	62.5	65.2	68.1	64.4	68.7	59.4	73.6
C	53.1	64.6	67.1	69.7	66.6	65.3	60.2	74.2
D	54.8	66.3	69.9	72.2	69.1	68.2	61.8	76.7
E	56.4	67.6	71.6	73.8	70.9	70.2	63.3	78.4
F	57.6	68.8	73.7	75.9	73.3	72.6	65.6	80.6

技术参数

Technical Data

YGB/YGBS 225 I 0.37KW-4P

YGB/YGBS 225 I 0.45KW-4P

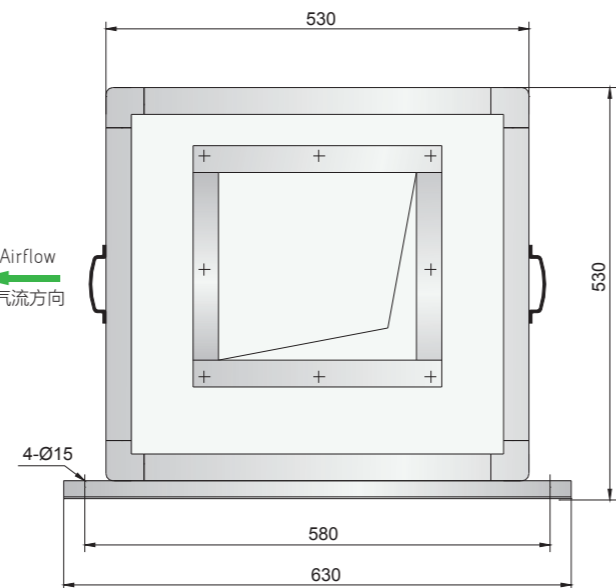
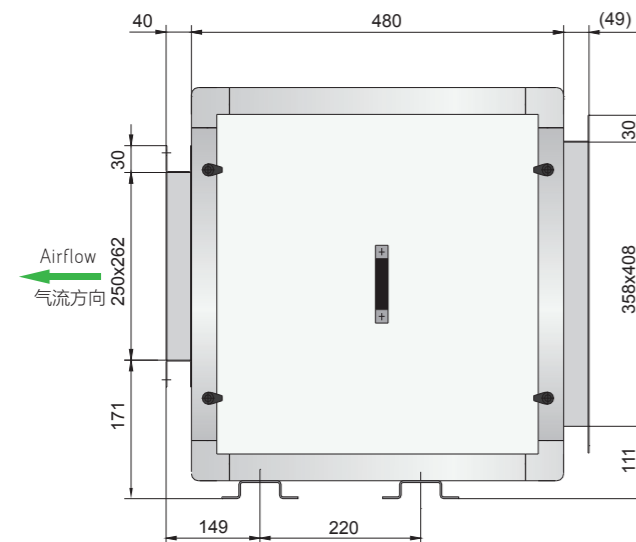


Type: YGB/YGBS 225 I	m: 17.9 kg		P _N : 0.37kW-4P					
	U: 380 v		f _i : 50HZ					
	I _N : 1.21 A		IP: IP54					
Duty point	125Hz	250Hz	500Hz	1kHz	2kHz	4kHz	8kHz	L _w dB (A)
A	58.3	68.3	68.4	70.9	68.9	67.0	60.3	76.1
B	56.8	67.5	68.6	71.3	69.7	67.8	60.9	76.4
C	56.6	68.4	70.1	73.1	71.1	69.6	61.9	77.9
D	56.9	69.6	71.8	74.8	72.5	71.3	63.5	79.4
E	57.7	70.4	73.9	76.5	74.2	73.5	65.6	81.3
F	58.3	70.7	74.8	77.4	75.0	74.4	66.9	82.1

Type: YGB/YGBS 225 I	m: 18.85 kg		P _N : 0.45kW-4P					
	U: 380 v		f _i : 50HZ					
	I _N : 1.36 A		IP: IP54					
Duty point	125Hz	250Hz	500Hz	1kHz	2kHz	4kHz	8kHz	L _w dB (A)
A	58.2	70.6	74.7	77.3	74.9	74.2	66.8	82.0
B	57.5	70.2	73.8	76.4	74.1	73.3	65.5	81.1
C	56.8	69.4	71.6	74.6	72.3	71.1	63.3	79.3
D	56.5	68.3	69.9	72.9	70.9	69.4	61.8	77.7
E	56.6	67.4	68.4	71.2	69.5	67.7	60.8	76.2
F	56.8	66.5	66.9	69.4	68.1	65.9	59.8	74.8

YGBS外形及安装尺寸

YGBS Overall Size

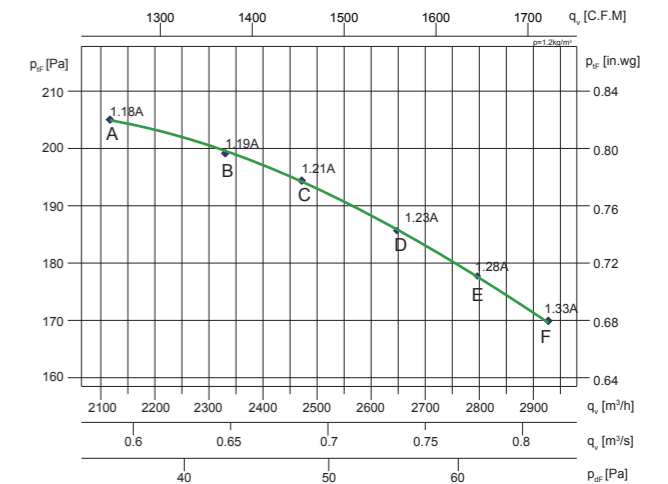
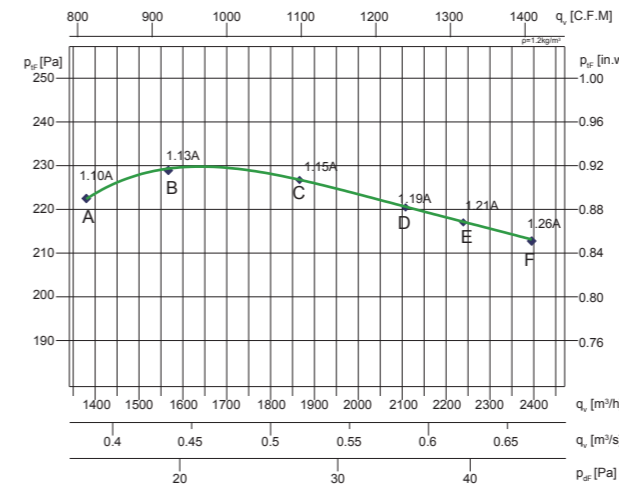


技术参数

Technical Data

YGB/YGBS 250 I 0.32KW-6P

YGB/YGBS 250 I 0.37KW-6P

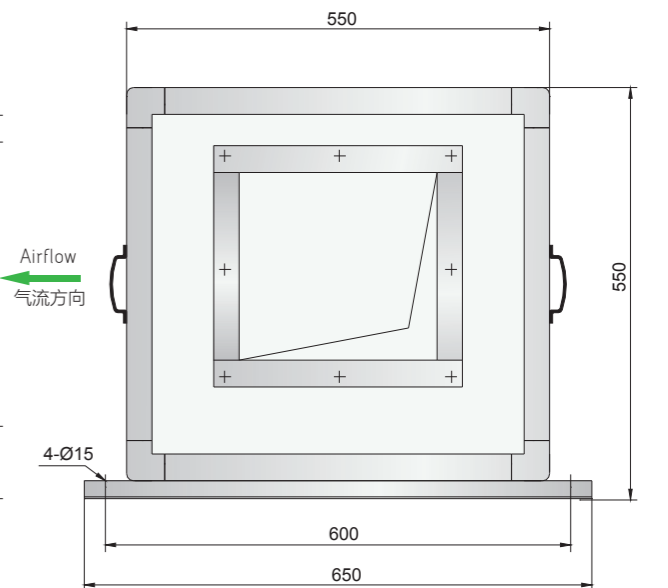
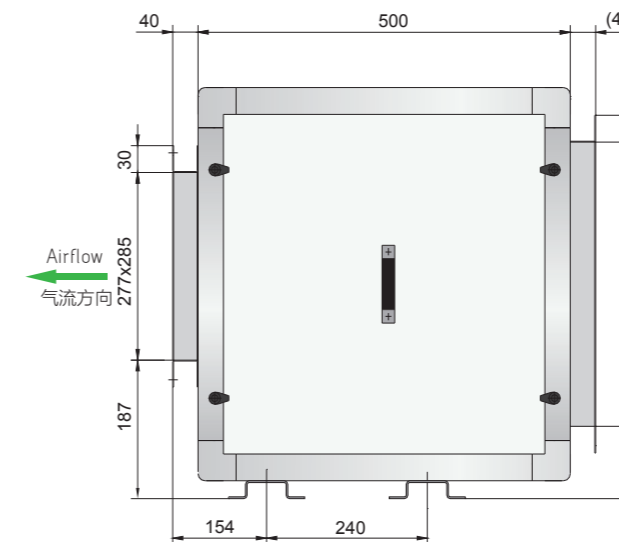


Type: YGB/YGBS 250 I	m: 20.4 kg		P _N : 0.32kW-6P					
	U: 380 v		f _i : 50HZ					
	I _N : 1.29 A		IP: IP54					
Duty point	125Hz	250Hz	500Hz	1kHz	2kHz	4kHz	8kHz	L _w dB (A)
A	56.5	62.9	64.1	69.1	63.8	60.9	50.0	72.3
B	54.2	62.7	65.2	69.7	65.7	63.7	53.2	73.3
C	55.2	63.2	65.9	70.3	66.9	65.3	55.5	74.1
D	55.9	63.9	66.7	71.5	67.7	66.3	57.1	75.1
E	57.5	65.1	67.9	72.5	69.6	68.4	60.2	76.5
F	57.4	65.4	68.7	73.4	70.5	69.5	61.6	77.4

Type: YGB/YGBS 250 I	m: 20.4 kg		P _N : 0.37kW-6P					
	U: 380 v		f _i : 50HZ					
	I _N : 1.37 A		IP: IP54					
Duty point	125Hz	250Hz	500Hz	1kHz	2kHz	4kHz	8kHz	L _w dB (A)
A	55.3	63.1	66.0	70.2	67.0	65.2	55.7	74.1
B	56.0	63.8	66.8	71.4	67.8	66.2	57.2	75.1
C	57.6	65.0	68.0	72.4	69.7	68.3	60.3	76.5
D	57.5	65.3	68.8	73.3	70.6	69.4	61.7	77.4
E	57.6	66.0	69.7	74.6	71.6	70.7	63.4	78.5
F	58.2	66.7	70.8	75.4	72.8	71.9	64.8	79.5

YGBS外形及安装尺寸

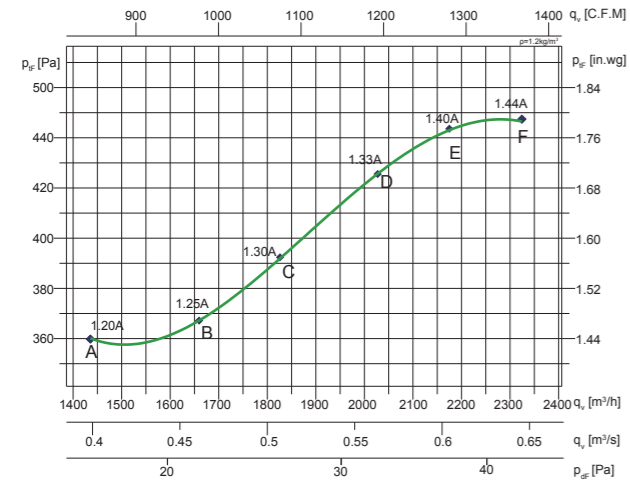
YGBS Overall Size



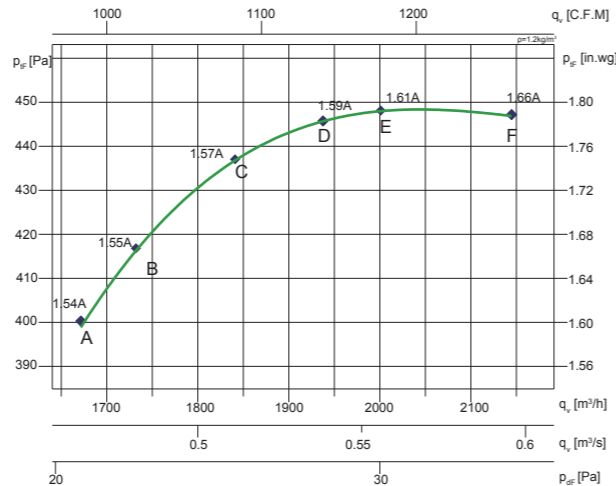
技术参数

Technical Data

YGB/YGBS 250 I 0.45KW-4P



YGB/YGBS 250 I 0.55KW-4P

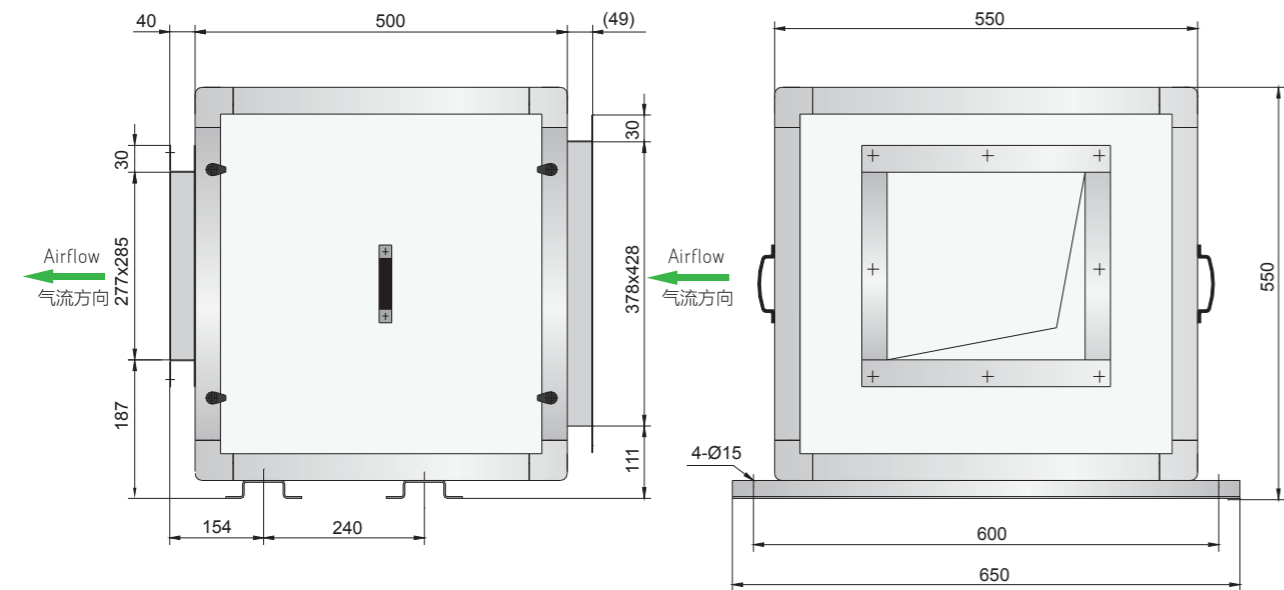


Type: YGB/YGBS 250 I	m: 20.35 kg	P _N : 0.45kW-4P						
	U: 380 v	f _i : 50HZ						
	I _N : 1.42 A	IP: IP54						
Duty point	125Hz	250Hz	500Hz	1kHz	2kHz	4kHz	8kHz	L _{wa} dB (A)
A	60.3	69.1	71.4	76.3	73.9	72.9	65.6	80.5
B	54.9	68.9	71.2	75.3	73.8	72.6	65.2	80.0
C	60.7	69.1	70.6	74.8	72.8	71.7	64.0	79.4
D	61.3	69.3	70.6	74.2	72.5	71.4	63.6	79.1
E	63.3	70.1	70.6	73.9	72.1	70.9	63.0	79.0
F	64.2	70.5	70.7	73.5	71.6	70.1	62.0	78.7

Type: YGB/YGBS 250 I	m: 21.5 kg	P _N : 0.55kW-4P						
	U: 380 v	f _i : 50HZ						
	I _N : 1.68 A	IP: IP54						
Duty point	125Hz	250Hz	500Hz	1kHz	2kHz	4kHz	8kHz	L _{wa} dB (A)
A	64.6	70.7	70.5	73.5	71.5	70.0	62.0	78.7
B	64.3	70.6	70.8	73.6	71.7	70.2	62.1	78.8
C	64.1	70.4	70.9	73.9	72.0	70.7	62.6	79.0
D	61.4	69.4	70.7	74.3	72.6	71.4	63.7	79.2
E	60.8	69.2	70.7	74.9	72.9	71.8	64.1	79.5
F	60.7	69.0	71.0	75.0	73.2	72.0	64.5	79.7

YGBS外形及安装尺寸

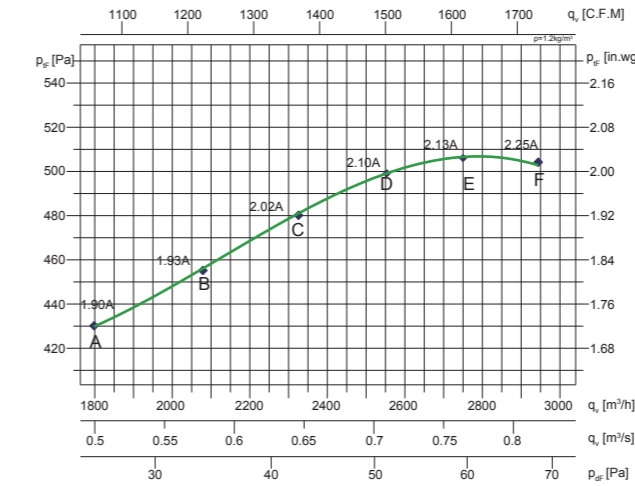
YGBS Overall Size



技术参数

Technical Data

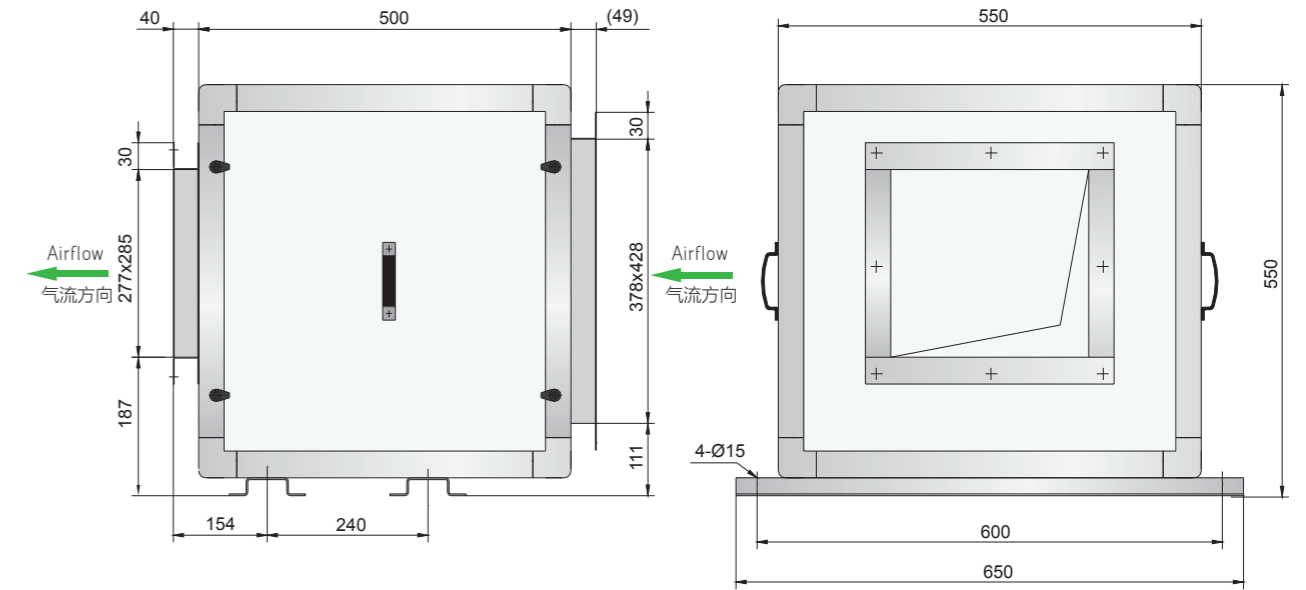
YGB/YGBS 250 I 0.8KW-4P



Type: YGB/YGBS 250 I	m: 23.65 kg	P _N : 0.8kW-4P						
	U: 380 v	f _i : 50HZ						
	I _N : 2.31 A	IP: IP54						
Duty point	125Hz	250Hz	500Hz	1kHz	2kHz	4kHz	8kHz	L _{wa} dB (A)
A	55.1	69.0	71.1	75.5	73.9	72.9	65.4	80.2
B	60.8	69.0	70.8	75.1	73.3	72.2	64.6	79.7
C	60.9	69.3	70.6	75.0	72.9	71.9	64.2	79.6
D	61.5	69.5	70.5	74.4	72.7	71.6	63.8	79.3
E	64.2	70.5	70.7	74.0	72.1	70.8	62.7	79.1
F	64.4	70.7	70.7	73.7	71.8	70.4	62.2	78.9

YGBS外形及安装尺寸

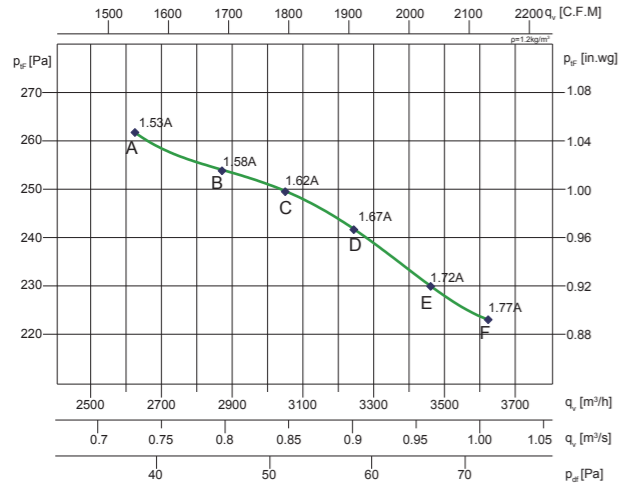
YGBS Overall Size



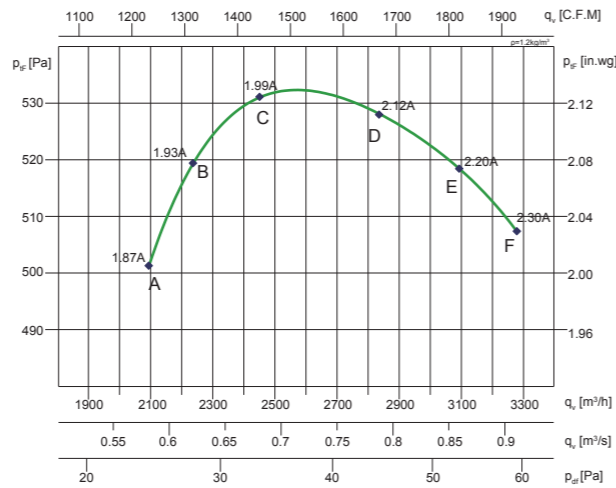
技术参数

Technical Data

YGB/YGBS 280 I 0.55KW-6P



YGB/YGBS 280 I 0.8KW-4P

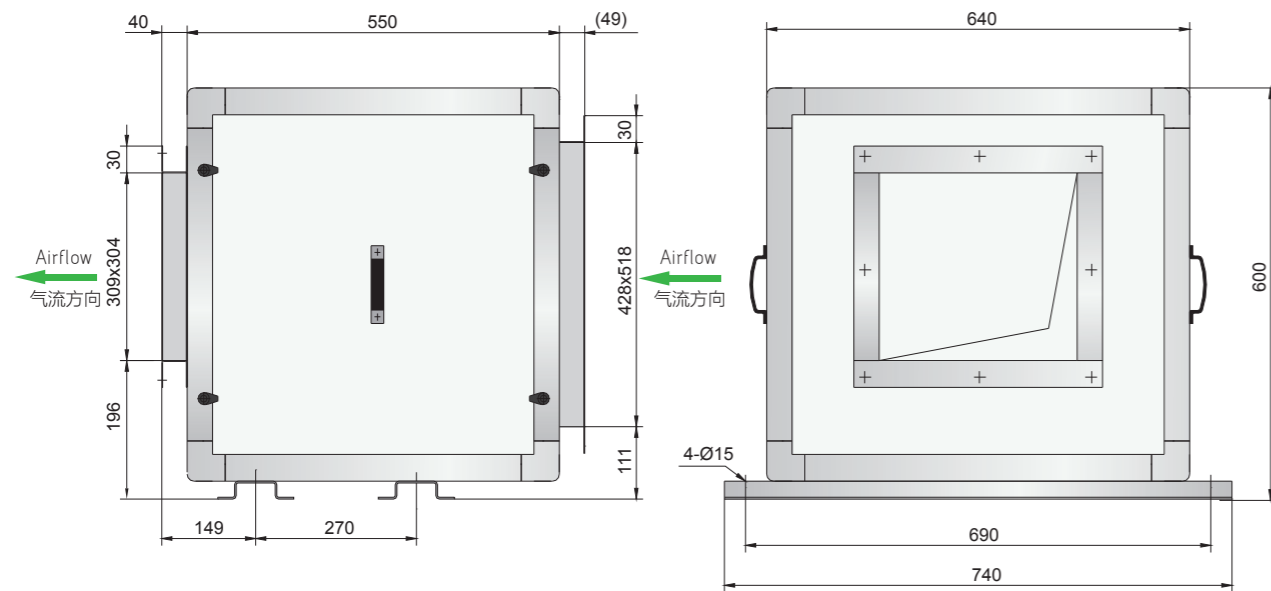


Type: YGB/YGBS 280 I	m: 24 kg	P _N : 0.55kW-6P						
	U: 380 v	f _i : 50HZ						
	I _N : 1.83 A	IP: IP54						
Duty point	125Hz	250Hz	500Hz	1kHz	2kHz	4kHz	8kHz	L _w dB (A)
A	56.6	63.8	66.5	69.9	65.1	64.3	60.8	73.8
B	56.2	64.5	67.7	71.5	67.2	66.5	62.1	75.4
C	58.0	64.8	68.6	72.8	68.4	67.9	62.4	76.5
D	58.8	66.4	70.7	74.6	71.0	70.7	64.5	78.6
E	59.6	67.1	71.7	75.8	72.3	72.0	65.6	79.6
F	59.6	68.0	72.9	76.8	73.7	73.3	66.8	80.9

Type: YGB/YGBS 280 I	m: 32.2 kg	P _N : 0.8kW-4P						
	U: 380 v	f _i : 50HZ						
	I _N : 2.31 A	IP: IP54						
Duty point	125Hz	250Hz	500Hz	1kHz	2kHz	4kHz	8kHz	L _w dB (A)
A	64.1	70.0	69.7	73.7	70.7	69.9	62.9	78.4
B	61.8	68.9	69.5	74.0	71.2	70.6	69.2	78.8
C	60.1	68.5	70.1	75.6	72.3	71.8	64.8	79.5
D	60.1	68.7	70.7	76.4	73.1	72.5	65.2	80.2
E	59.6	68.0	72.9	76.8	73.7	73.3	66.8	80.9
F	60.2	69.0	71.0	77.3	74.0	73.6	66.7	81.1

YGBS外形及安装尺寸

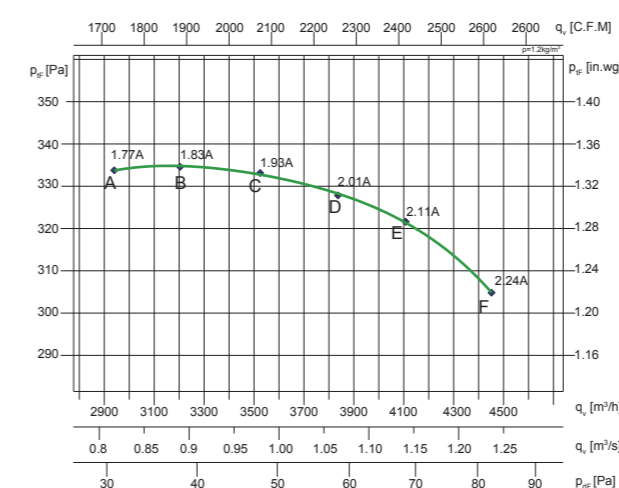
YGBS Overall Size



技术参数

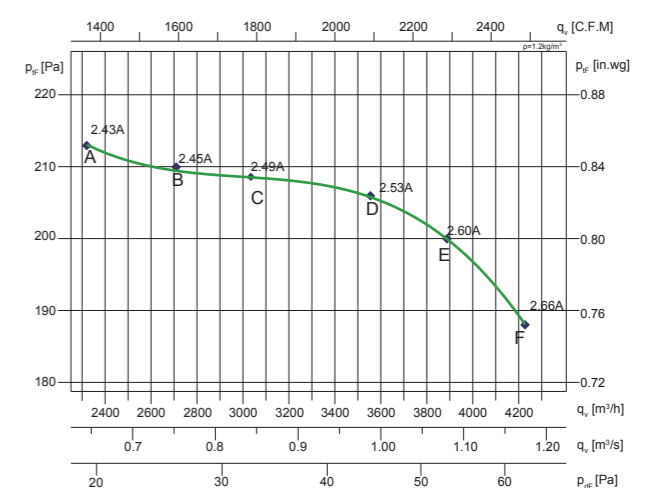
Technical Data

YGB/YGBS 315 I 0.8KW-6P



Type: YGB/YGBS 315 I	m: 42.2 kg	P _N : 0.8kW-6P						
	U: 380 v	f _i : 50HZ						
	I _N : 2.35 A	IP: IP54						
Duty point	125Hz	250Hz	500Hz	1kHz	2kHz	4kHz	8kHz	L _w dB (A)
A	61.3	67.5	68.6	68.7	66.1	65.3	61.2	74.9
B	60.7	68.8	71.1	70.7	68.1	67.4	61.8	76.7
C	60.2	69.1	72.2	72.0	69.4	68.8	62.5	77.7
D	61.1	70.0	72.7	73.1	70.7	70.1	63.2	78.7
E	60.5	71.0	74.0	74.4	72.2	71.7	64.3	80.0
F	60.1	72.1	75.5	75.9	73.7	73.2	65.6	81.4

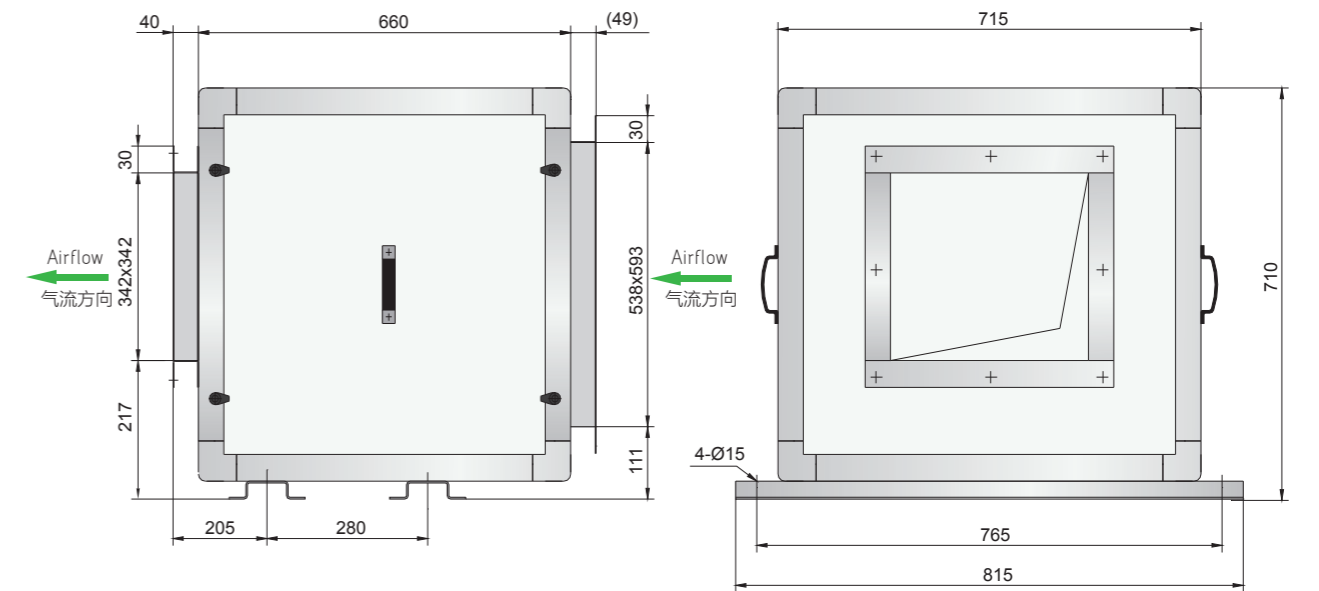
YGB/YGBS 315 I 0.8KW-8P



Type: YGB/YGBS 315 I	m: 43.8 kg	P _N : 0.8kW-8P						
	U: 380 v	f _i : 50HZ						
	I _N : 2.69 A	IP: IP54						
Duty point	125Hz	250Hz	500Hz	1kHz	2kHz	4kHz	8kHz	L _w dB (A)
A	54.9	59.3	63.9	70.0	57.1	56.7	59.7	71.9
B	54.8	59.3	63.0	72.1	58.6	57.1	59.5	73.3
C	54.7	59.7	63.7	70.0	59.5	57.9	59.5	72.0
D	54.4	60.8	64.5	71.2	61.3	59.5	59.8	73.1
E	55.1	62.2	65.7	70.3	62.9	61.2	59.6	73.1
F	56.1	64.9	67.3	71.9	65.7	64.2	59.9	75.0

YGBS外形及安装尺寸

YGBS Overall Size

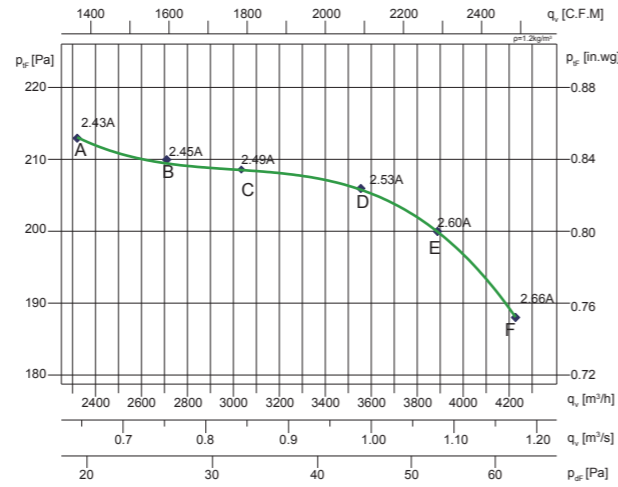
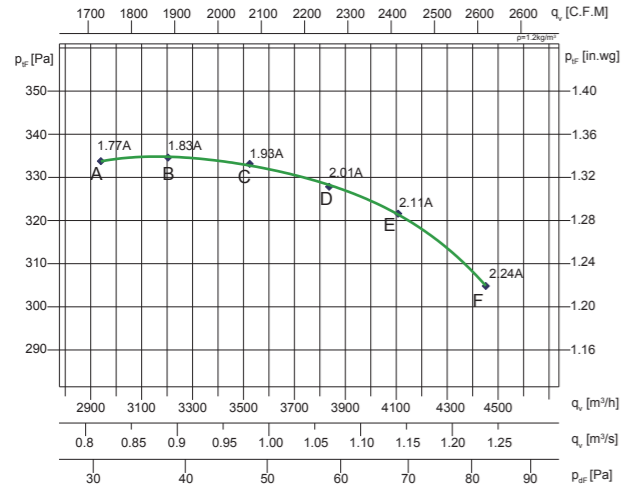


技术参数

Technical Data

YGB/YGBS 315 I 0.8KW-6P

YGB/YGBS 315 I 0.8KW-8P

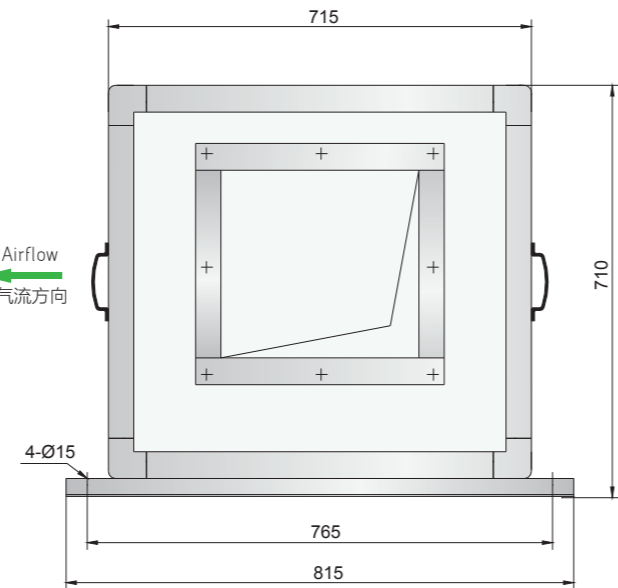
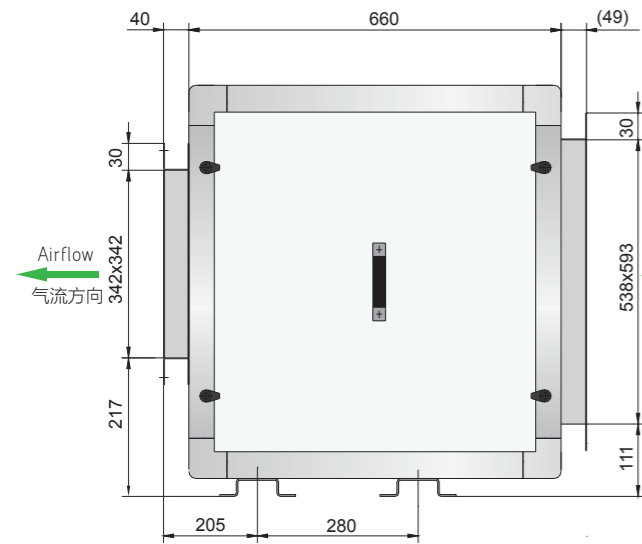


Type: YGB/YGBS 315 I	m: 42.2 kg	P _N : 0.8kW-6P						
	U: 380 v	f _i : 50HZ						
	I _N : 2.35 A	IP: IP54						
Duty point	125Hz	250Hz	500Hz	1kHz	2kHz	4kHz	8kHz	L _w dB (A)
A	61.3	67.5	68.6	68.7	66.1	65.3	61.2	74.9
B	60.7	68.8	71.1	70.7	68.1	67.4	61.8	76.7
C	60.2	69.1	72.2	72.0	69.4	68.8	62.5	77.7
D	61.1	70.0	72.7	73.1	70.7	70.1	63.2	78.7
E	60.5	71.0	74.0	74.4	72.2	71.7	64.3	80.0
F	60.1	72.1	75.5	75.9	73.7	73.2	65.6	81.4

Type: YGB/YGBS 315 I	m: 43.8 kg	P _N : 0.8kW-8P						
	U: 380 v	f _i : 50HZ						
	I _N : 2.69 A	IP: IP54						
Duty point	125Hz	250Hz	500Hz	1kHz	2kHz	4kHz	8kHz	L _w dB (A)
A	54.9	59.3	63.9	70.0	57.1	56.7	59.7	71.9
B	54.8	59.3	63.0	72.1	58.6	57.1	59.5	73.3
C	54.7	59.7	63.7	70.0	59.5	57.9	59.5	72.0
D	54.4	60.8	64.5	71.2	61.3	59.5	59.8	73.1
E	55.1	62.2	65.7	70.3	62.9	61.2	59.6	73.1
F	56.1	64.9	67.3	71.9	65.7	64.2	59.9	75.0

YGBS外形及安装尺寸

YGBS Overall Size

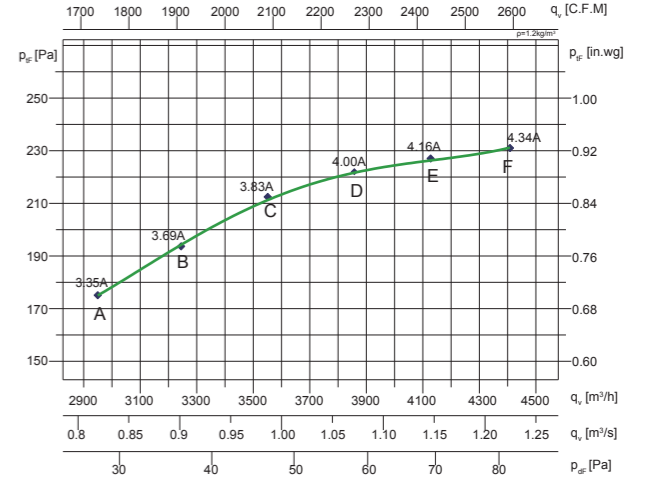
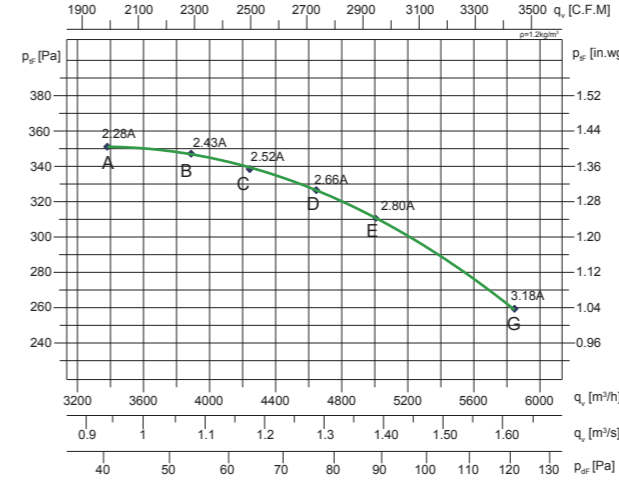


技术参数

Technical Data

YGB/YGBS 315 I 1.1KW-6P

YGB/YGBS 315 I 1.8KW-4P

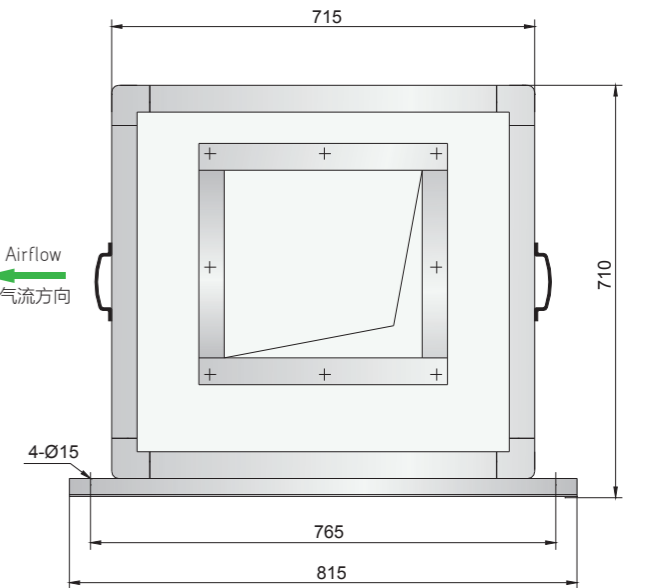
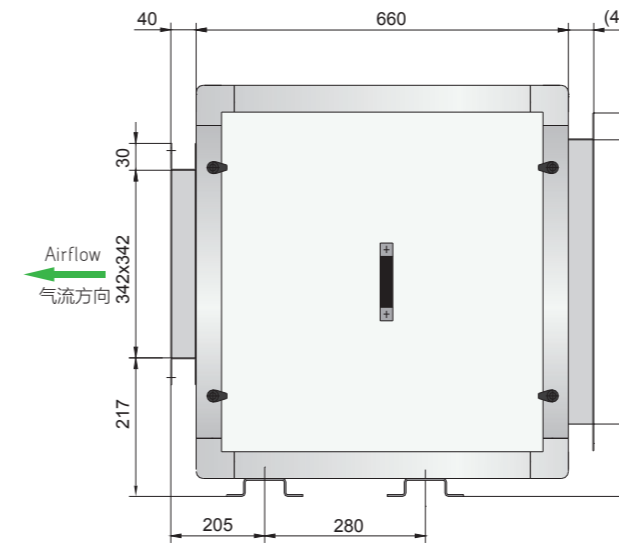


Type: YGB/YGBS 315 I	m: 43.8 kg	P _N : 1.1kW-6P						
	U: 380 v	f _i : 50HZ						
	I _N : 3.3 A	IP: IP54						
Duty point	125Hz	250Hz	500Hz	1kHz	2kHz	4kHz	8kHz	L _w dB (A)
A	61.5	67.2	69.9	70.0	67.5	66.7	61.9	75.8
B	61.2	69.2	71.5	71.2	68.6	67.9	62.3	77.2
C	60.7	69.6	72.6	72.4	69.9	69.3	62.9	78.2
D	61.5	70.4	73.1	73.5	71.1	70.6	63.6	79.2
E	61.0	71.4	74.5	74.8	72.6	72.1	64.8	80.5
F	61.9	73.5	77.3	77.5	75.4	75.0	67.4	83.1

Type: YGB/YGBS 315 I	m: 46.7 kg	P _N : 1.8kW-4P						
	U: 380 v	f _i : 50HZ						
	I _N : 4.47 A	IP: IP54						
Duty point	125Hz	250Hz	500Hz	1kHz	2kHz	4kHz	8kHz	L _w dB (A)
A	59.3	60.5	60.5	63.0	61.0	59.9	53.2	68.8
B	58.4	60.2	59.8	63.5	60.6	60.0	53.4	68.6
C	54.2	59.4	58.8	63.4	60.0	59.7	53.3	68.0
D	52.5	59.2	59.1	63.4	60.6	60.4	54.0	68.1
E	52.5	58.7	59.5	64.3	61.3	60.9	54.8	68.7
F	51.2	58.9	60.0	64.7	61.6	61.4	55.5	69.0

YGBS外形及安装尺寸

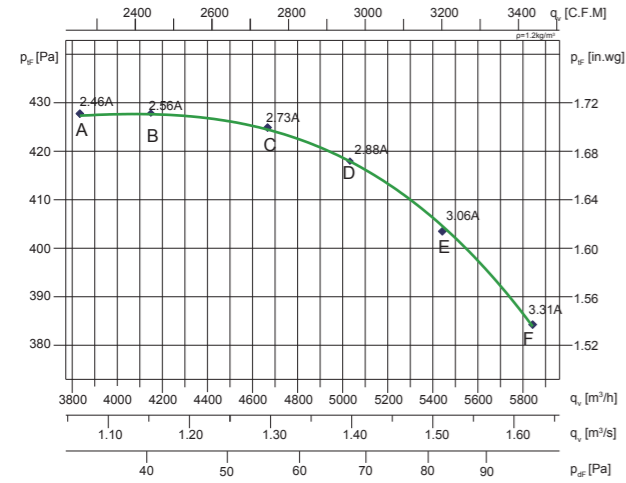
YGBS Overall Size



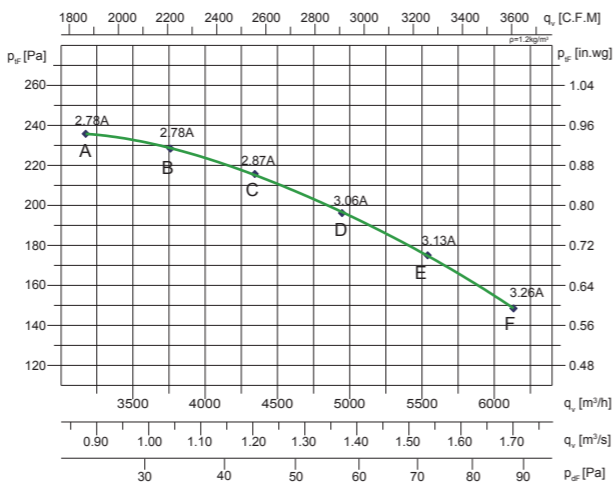
技术参数

Technical Data

YGB/YGBS 355 I 1.1KW-6P



YGB/YGBS 355 I 1.1KW-8P

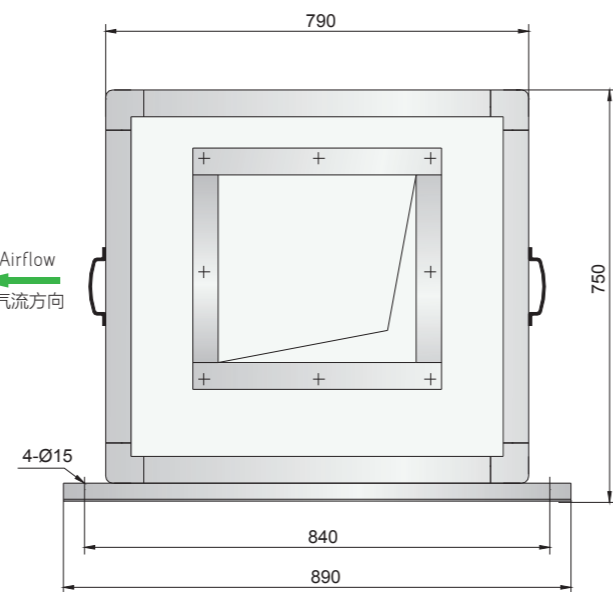
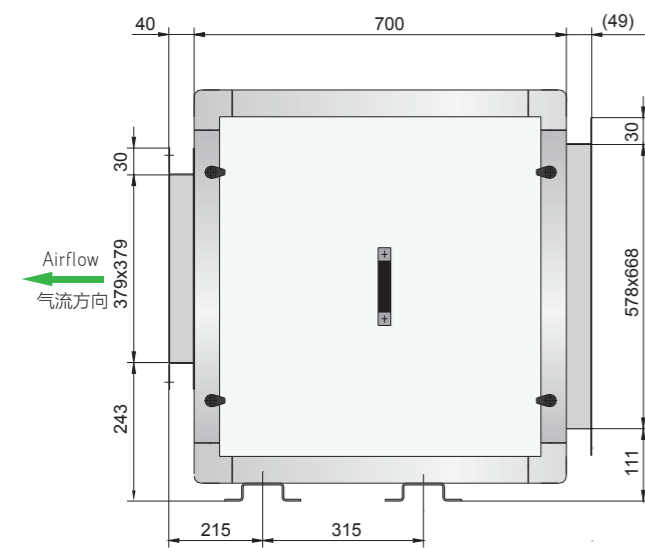


Type: YGB/YGBS 355 I	m: 46.8 kg	P _N : 1.1kW-6P						
	U: 380 v	f _i : 50HZ						
	I _N : 3.3 A	IP: IP54						
Duty point	125Hz	250Hz	500Hz	1kHz	2kHz	4kHz	8kHz	L _{wa} dB (A)
A	63.9	66.7	71.8	75.2	71.7	71.1	64.6	79.4
B	64.8	67.3	72.9	76.9	73.5	72.7	65.7	80.9
C	64.4	67.9	74.0	78.2	75.2	74.1	67.0	82.2
D	65.5	69.0	75.5	79.7	77.0	75.8	68.7	83.7
E	65.9	69.9	76.4	81.1	78.6	77.2	70.1	85.1
F	68.7	71.1	77.4	82.4	80.2	78.8	71.7	86.5

Type: YGB/YGBS 355 I	m: 53 kg	P _N : 1.1kW-8P						
	U: 380 v	f _i : 50HZ						
	I _N : 3.67 A	IP: IP54						
Duty point	125Hz	250Hz	500Hz	1kHz	2kHz	4kHz	8kHz	L _{wa} dB (A)
A	55.7	58.5	62.0	62.2	58.1	55.1	45.6	67.3
B	57.2	59.3	64.3	63.8	61.7	59.9	48.2	69.5
C	58.6	60.5	67.0	66.1	64.4	63.6	52.0	72.1
D	58.7	62.6	68.2	69.1	67.2	66.7	56.6	74.4
E	61.2	63.7	71.1	71.8	69.7	69.3	60.6	77.1
F	60.8	65.7	72.9	74.1	72.2	71.7	64.0	79.3

YGBS外形及安装尺寸

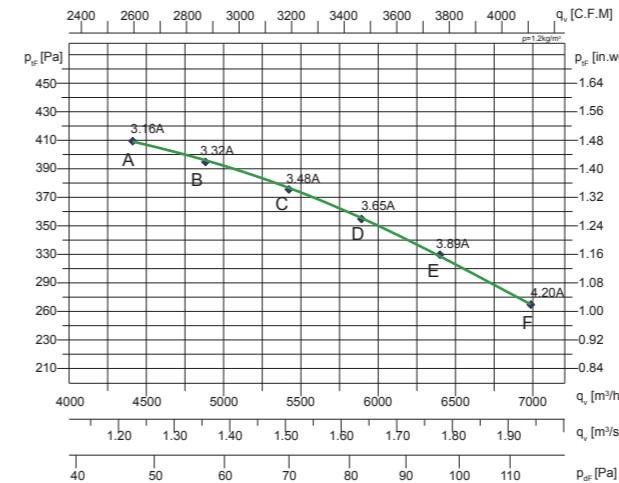
YGBS Overall Size



技术参数

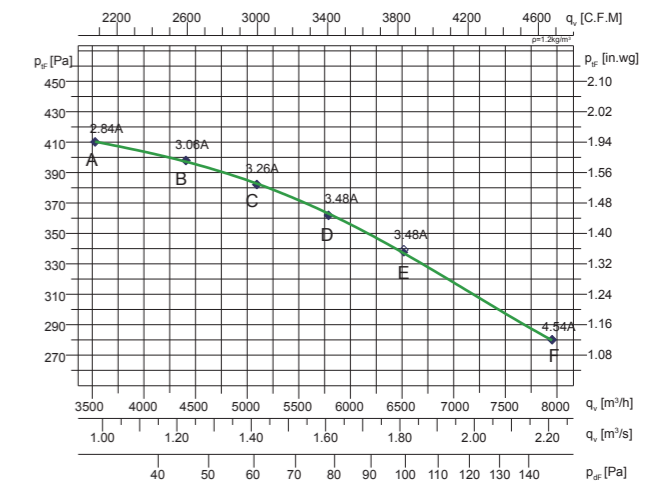
Technical Data

YGB/YGBS 355 I 1.5KW-6P



Type: YGB/YGBS 355 I	m: 53 kg	P _N : 1.5kW-6P						
	U: 380 v	f _i : 50HZ						
	I _N : 4.2 A	IP: IP54						
Duty point	125Hz	250Hz	500Hz	1kHz	2kHz	4kHz	8kHz	L _{wa} dB (A)
A	65.1	67.5	73.1	77.2	73.8	72.9	66.0	81.1
B	64.6	68.2	74.2	78.5	75.4	74.4	67.3	82.4
C	65.7	69.2	75.7	80.0	77.3	76.1	68.9	84.0
D	66.1	70.2	76.7	81.4	78.8	77.5	70.3	85.3
E	68.9	71.3	77.7	82.6	80.4	79.0	71.9	86.7
F	68.0	72.6	79.0	84.1	82.4	84.6	73.7	89.3

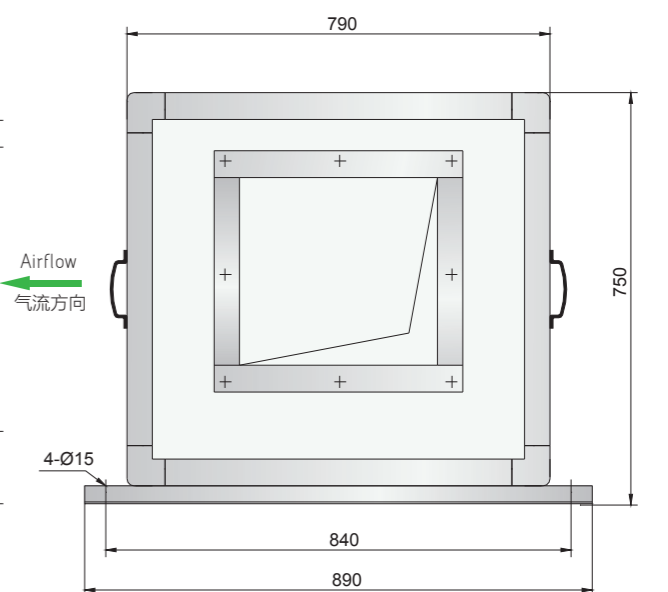
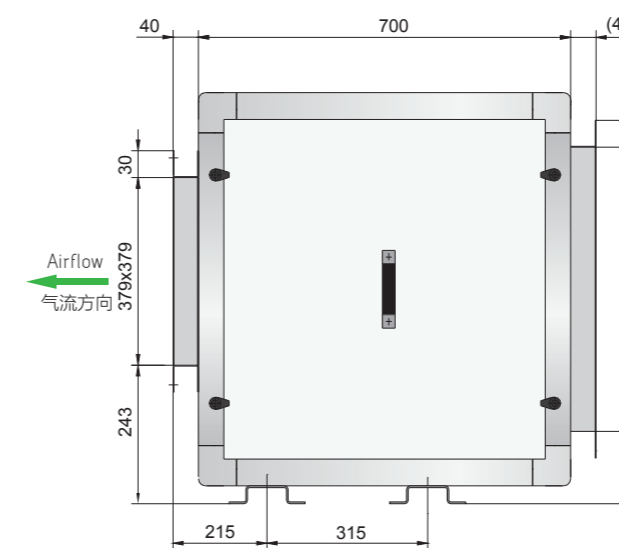
YGB/YGBS 355 I 1.8KW-6P



Type: YGB/YGBS 355 I	m: 55.6 kg	P _N : 1.8kW-6P						
	U: 380 v	f _i : 50HZ						
	I _N : 4.8 A	IP: IP54						
Duty point	125Hz	250Hz	500Hz	1kHz	2kHz	4kHz	8kHz	L _{wa} dB (A)
A	63.7	69.2	72.3	76.3	72.9	72.1	64.7	80.4
B	64.2	70.8	74.4	78.4	75.4	74.4	66.8	82.5
C	65.0	71.3	75.7	79.9	77.5	76.3	68.8	84.1
D	67.0	72.7	76.8	81.7	79.4	78.1	70.8	85.8
E	67.5	74.1	78.1	83.4	81.3	79.9	72.7	87.5
F	69.4	75.6	79.5	84.8	83.2	81.6	74.4	89.1

YGBS外形及安装尺寸

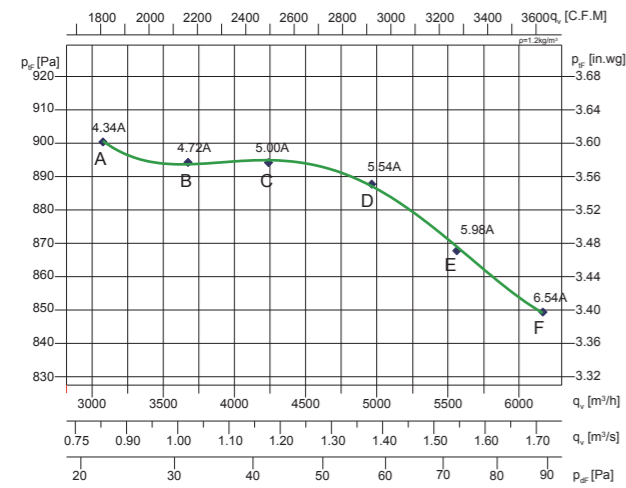
YGBS Overall Size



技术参数

Technical Data

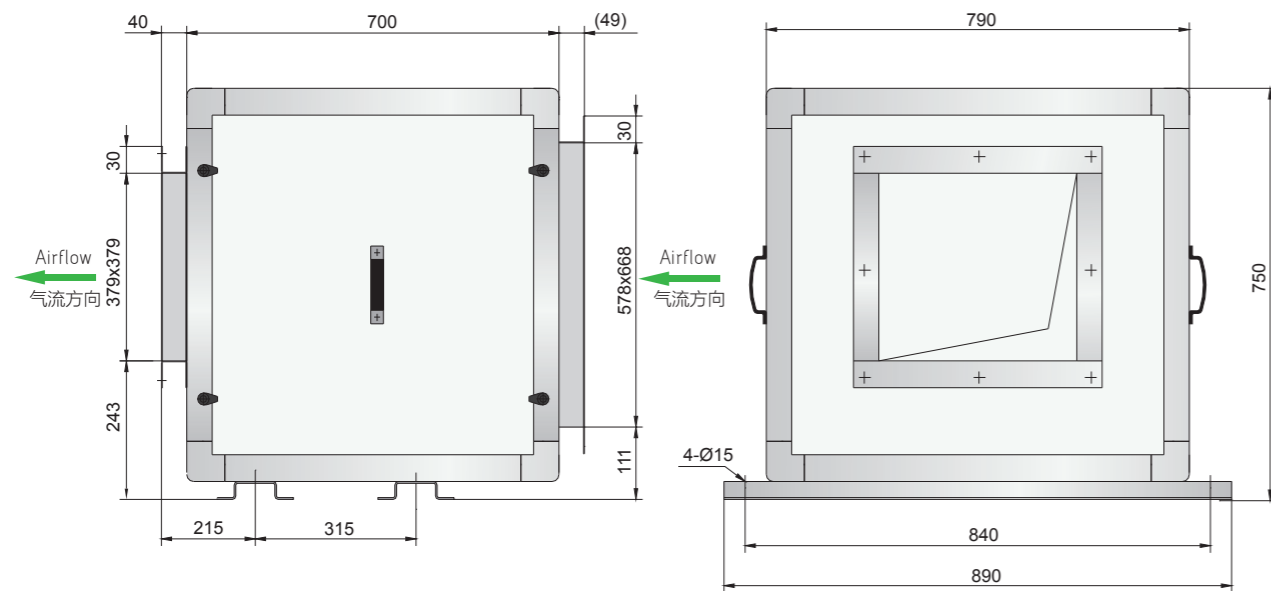
YGB/YGBS 355 I 3KW-4P



Type: YGB/YGBS 355 I	m: 57 kg		P _N : 3kW-4P					
	U: 380 v		f _i : 50HZ					
	I _N : 6.95 A		IP: IP54					
Duty point	125Hz	250Hz	500Hz	1kHz	2kHz	4kHz	8kHz	L _{wm} dB (A)
A	73.0	75.5	76.9	79.3	77.5	76.4	69.9	84.8
B	72.8	74.3	75.7	79.4	77.3	76.5	70.3	84.5
C	72.4	75.2	76.7	80.5	78.1	77.3	71.2	85.3
D	71.6	75.7	77.9	81.9	79.4	78.2	72.2	86.4
E	71.0	75.8	78.8	82.9	80.6	79.4	73.2	87.4
F	69.6	76.1	80.1	85.4	83.6	81.8	75.7	89.6

YGBS外形及安装尺寸

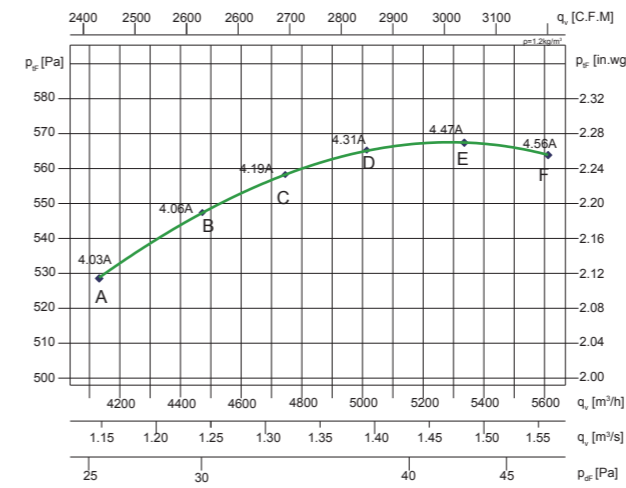
YGBS Overall Size



技术参数

Technical Data

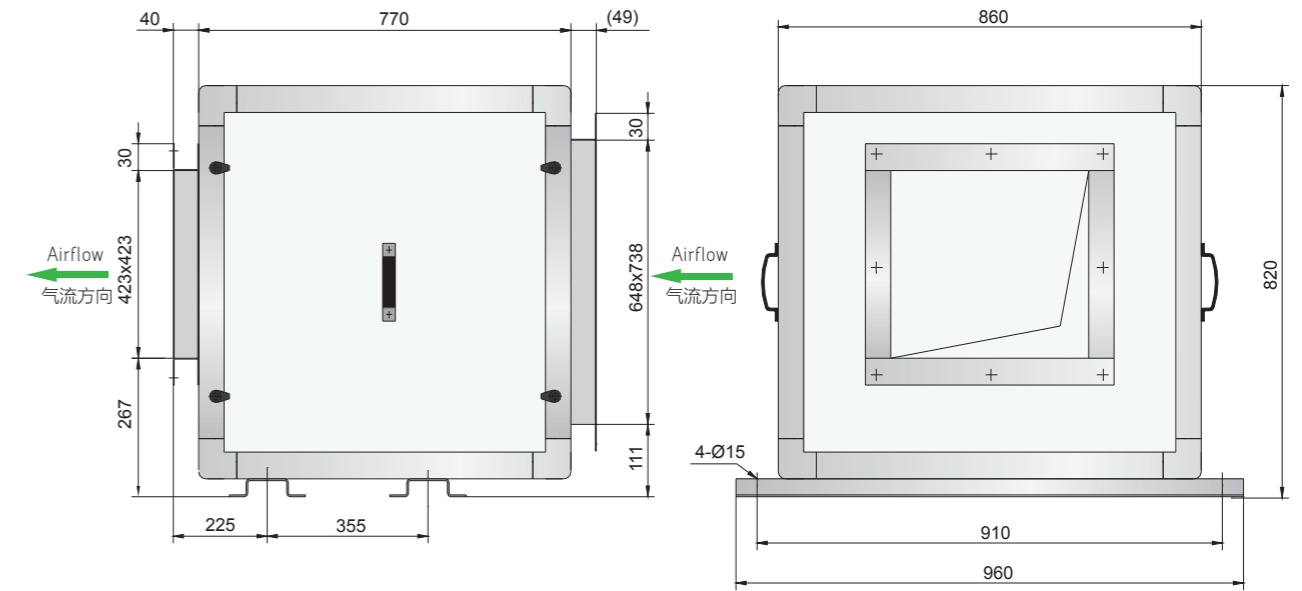
YGB/YGBS 400 I 1.8KW-6P



Type: YGB/YGBS 400 I	m: 61.2 kg		P _N : 1.8kW-6P					
	U: 380 v		f _i : 50HZ					
	I _N : 4.8 A		IP: IP54					
Duty point	125Hz	250Hz	500Hz	1kHz	2kHz	4kHz	8kHz	L _{wm} dB (A)
A	75.8	70.5	71.5	77.7	74.5	72.7	63.1	82.3
B	72.8	71.2	72.8	78.5	76.3	74.2	65.1	82.9
C	77.1	72.5	74.1	80.0	78.1	75.9	67.3	84.8
D	76.8	71.6	74.4	80.4	78.7	76.4	68.3	85.1
E	76.4	70.4	74.6	80.5	79.1	76.7	69.2	85.2
F	77.7	70.9	76.4	82.4	81.1	78.7	71.7	87.0

YGBS外形及安装尺寸

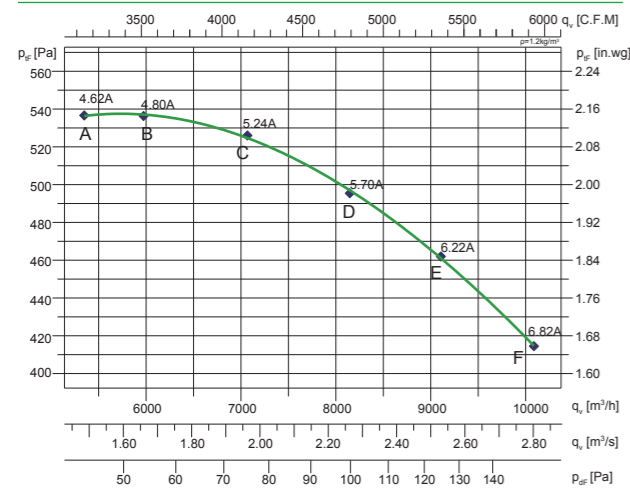
YGBS Overall Size



技术参数

Technical Data

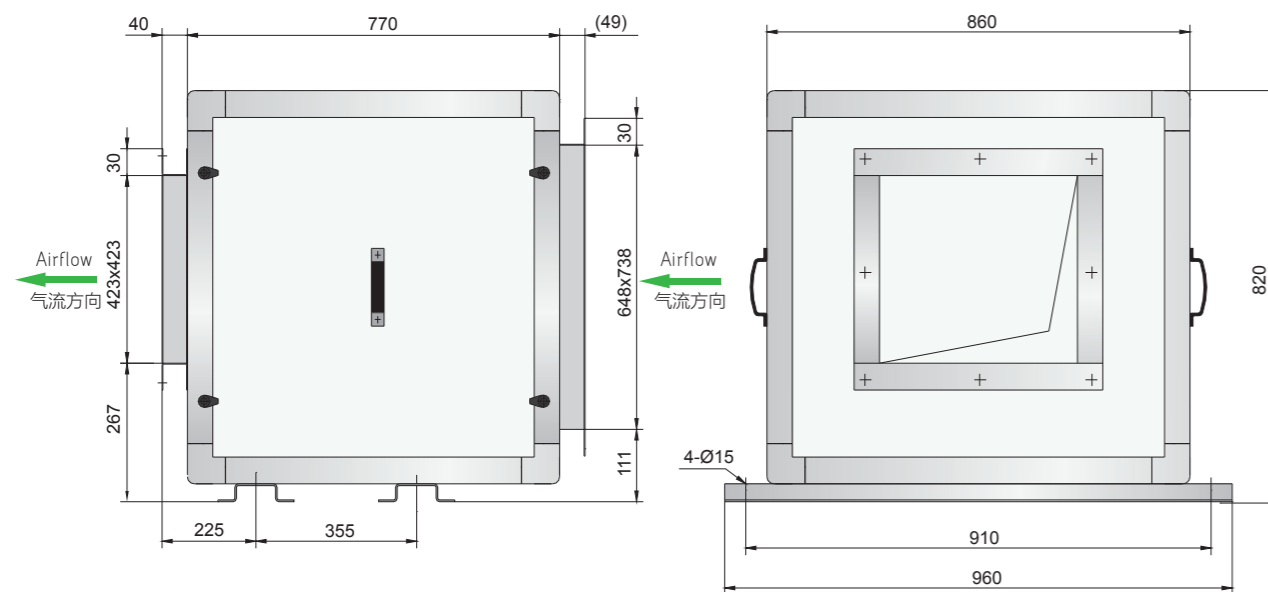
YGB/YGBS 400 I 3KW-6P



Type: YGB/YGBS 400 I	m: 76.4 kg	P_N : 3kW-6P						
	U: 380 v	f_1 : 50HZ						
	I_N : 7.5 A	IP: IP54						
Duty point	125Hz	250Hz	500Hz	1kHz	2kHz	4kHz	8kHz	L_{wa} dB (A)
A	76.1	70.5	71.1	77.4	73.8	71.8	62.3	82.0
B	76.6	71.1	72.2	78.3	75.3	73.2	63.8	83.0
C	73.6	71.7	73.6	79.1	77.0	74.8	65.8	83.5
D	77.8	73.1	74.9	80.6	78.8	76.5	68.0	85.5
E	79.1	73.6	76.7	72.4	80.9	78.4	70.6	87.2
F	74.5	74.8	78.3	73.5	82.5	80.1	72.6	88.1

YGBS外形及安装尺寸

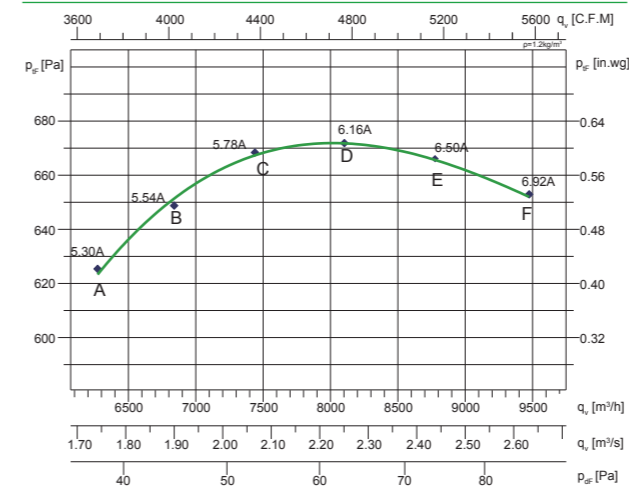
YGBS Overall Size



技术参数

Technical Data

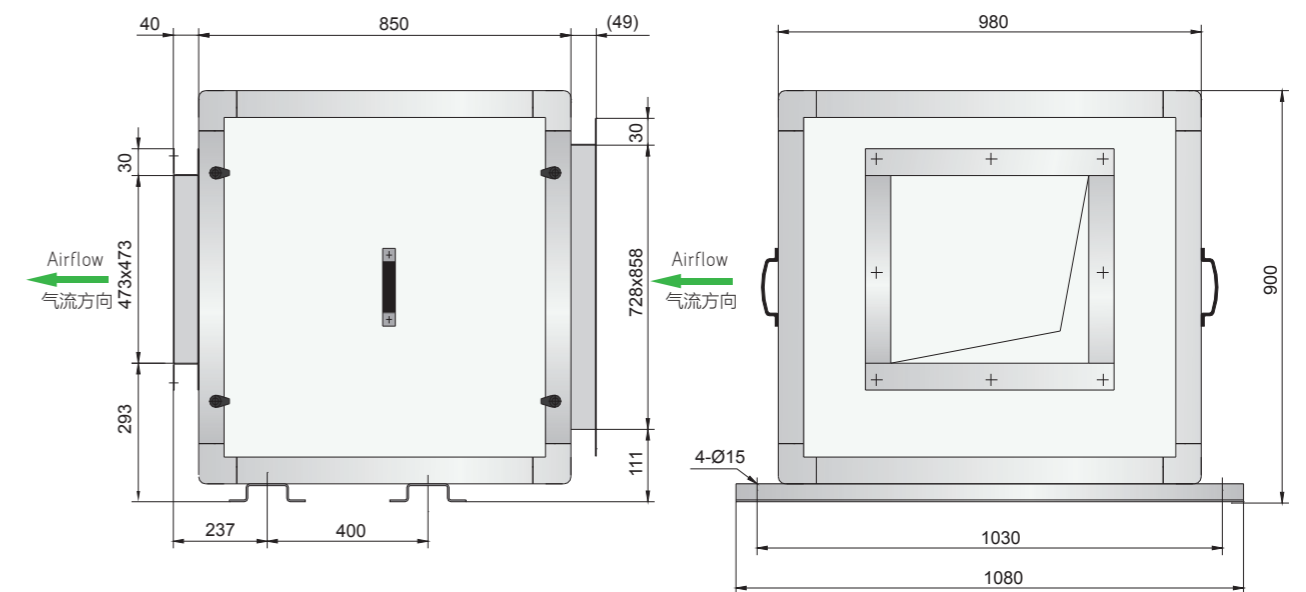
YGB/YGBS 450 I 3KW-6P



Type: YGB/YGBS 450 I	m: 86.8 kg	P_N : 3kW-6P						
	U: 380 v	f_1 : 50HZ						
	I_N : 7.5 A	IP: IP54						
Duty point	125Hz	250Hz	500Hz	1kHz	2kHz	4kHz	8kHz	L_{wa} dB (A)
A	68.6	69.2	76.6	74.2	72.2	70.7	63.7	80.7
B	67.5	69.7	78.0	76.0	74.4	71.3	64.4	82.0
C	61.1	69.8	78.6	77.3	75.4	72.4	65.5	82.9
D	66.0	70.2	80.5	78.2	75.8	73.7	66.6	84.1
E	66.3	71.0	81.6	79.8	77.9	74.7	67.9	85.5
F	67.4	72.3	81.9	81.7	79.6	75.6	69.2	86.6

YGBS外形及安装尺寸

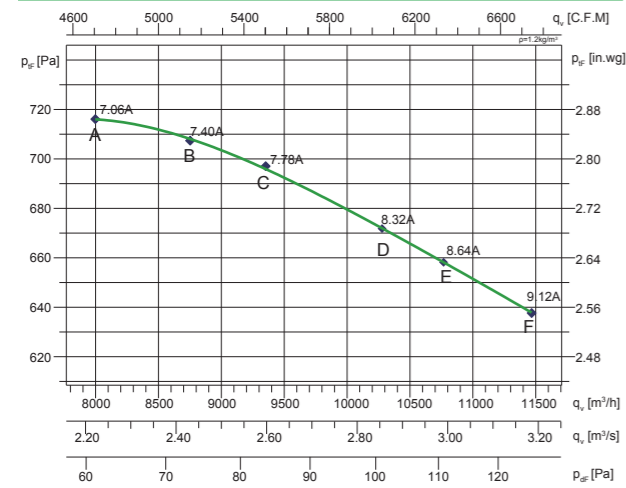
YGBS Overall Size



技术参数

Technical Data

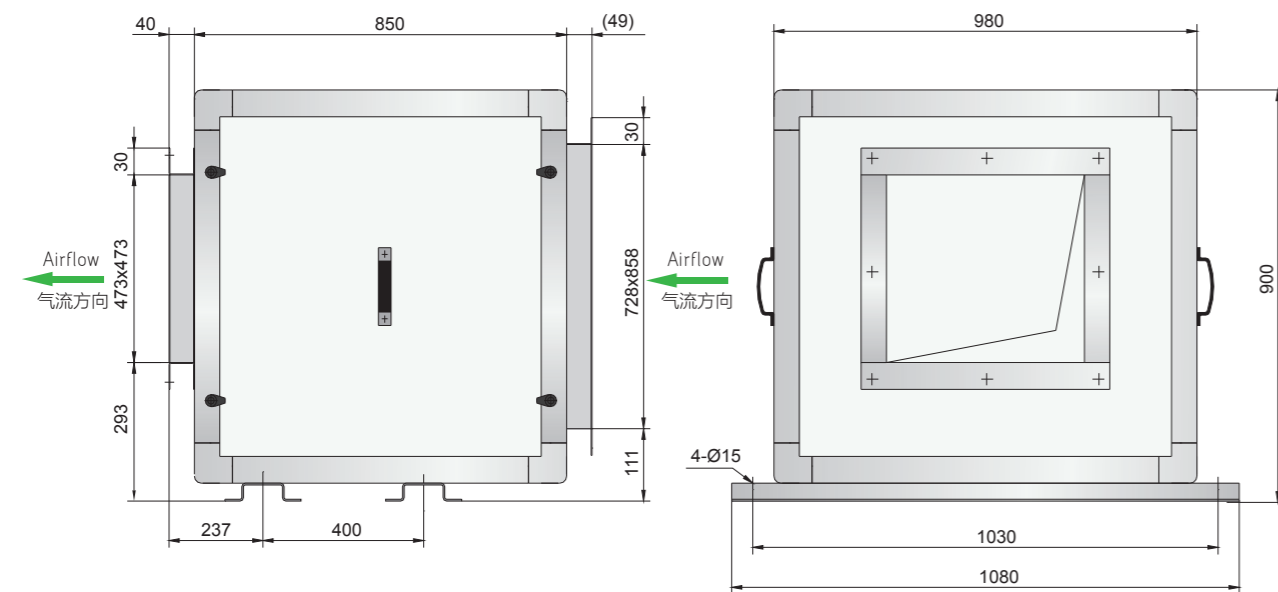
YGB/YGBS 450 I 4KW-6P



Type: YGB/YGBS 450 I	m: 96 kg	P_N : 4kW-6P						
	U: 380 v	f_1 : 50HZ						
	I_N : 9.9 A	IP: IP54						
Duty point	125Hz	250Hz	500Hz	1kHz	2kHz	4kHz	8kHz	L_{wa} dB (A)
A	69.3	73.0	81.8	80.5	78.6	75.6	68.7	86.1
B	69.2	73.4	83.7	81.4	79.0	76.9	69.8	87.3
C	69.5	74.2	84.8	83.0	81.1	77.9	71.1	88.7
D	70.6	75.5	85.1	84.9	82.8	78.8	72.4	89.8
E	71.0	75.9	85.8	85.0	82.6	80.0	73.0	90.2
F	71.7	76.7	85.9	86.2	84.1	81.3	74.3	91.1

YGBS外形及安装尺寸

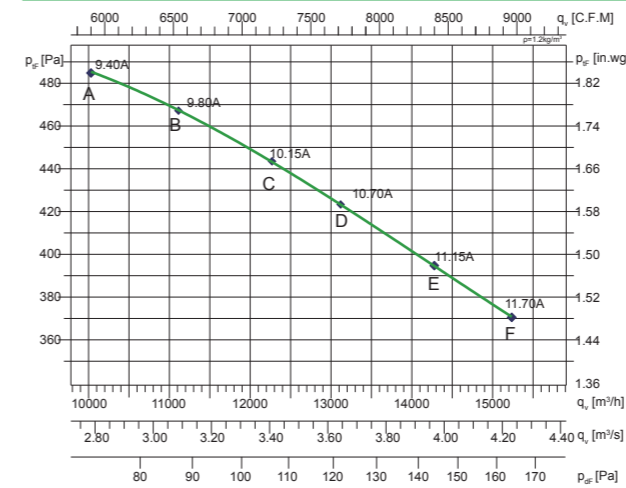
YGBS Overall Size



技术参数

Technical Data

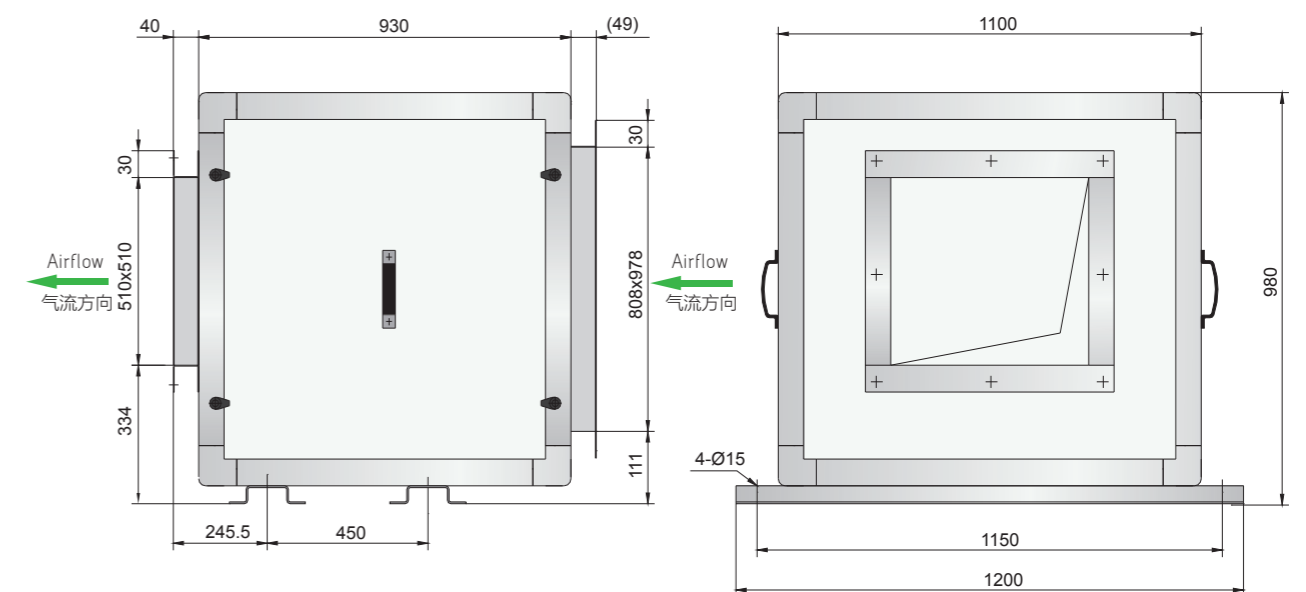
YGB/YGBS 500 I 5.5KW-8P



Type: YGB/YGBS 500 I	m: 132 kg	P_N : 5.5kW-8P						
	U: 380 v	f_1 : 50HZ						
	I_N : 14 A	IP: IP54						
Duty point	125Hz	250Hz	500Hz	1kHz	2kHz	4kHz	8kHz	L_{wa} dB (A)
A	73.2	71.5	74.1	77.1	75.5	70.1	63.8	82.1
B	72.7	71.4	74.1	77.3	75.9	70.5	65.2	82.2
C	72.5	72.1	74.8	78.5	77.1	71.7	66.2	83.2
D	72.7	72.0	75.8	79.6	78.5	73.3	67.2	84.2
E	73.6	73.2	76.9	81.2	80.0	74.9	68.5	85.6
F	74.8	74.4	78.4	82.5	81.9	76.9	70.6	87.2

YGBS外形及安装尺寸

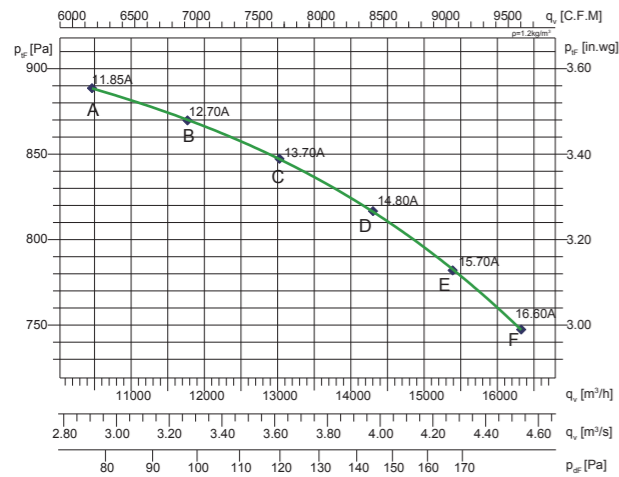
YGBS Overall Size



技术参数

Technical Data

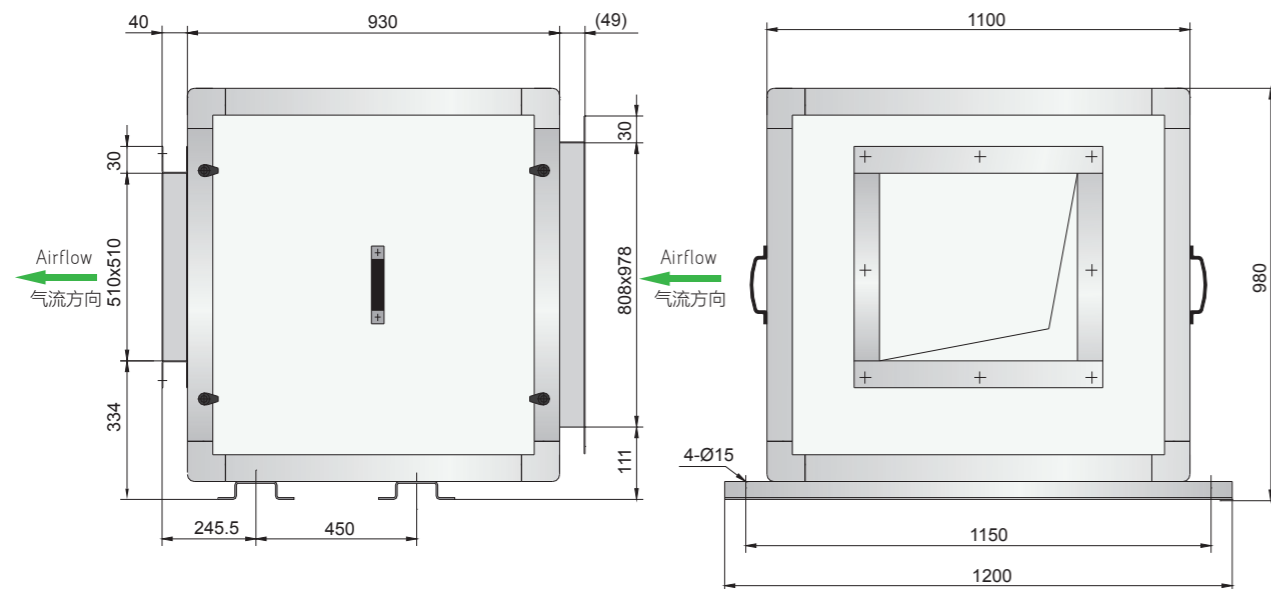
YGB/YGBS 500 I 7.5KW-6P



Type: YGB/YGBS 500 I	m: 135 kg		P _N : 7.5kW-6P					
	U: 380 v		f _i : 50HZ					
	I _N : 17.7 A		IP: IP54					
Duty point	125Hz	250Hz	500Hz	1kHz	2kHz	4kHz	8kHz	L _{wa} dB (A)
A	76.2	76.2	81.9	80.6	77.8	75.7	70.1	86.6
B	78.2	76.3	83.0	81.2	78.5	76.4	71.0	87.6
C	76.7	76.5	84.3	82.2	79.3	77.0	71.8	88.3
D	76.6	77.0	85.9	83.6	80.5	78.0	72.3	89.6
E	75.9	78.7	87.3	86.6	83.3	80.6	74.0	91.6
F	76.3	79.8	88.8	88.1	84.9	82.3	75.4	93.2

YGBS外形及安装尺寸

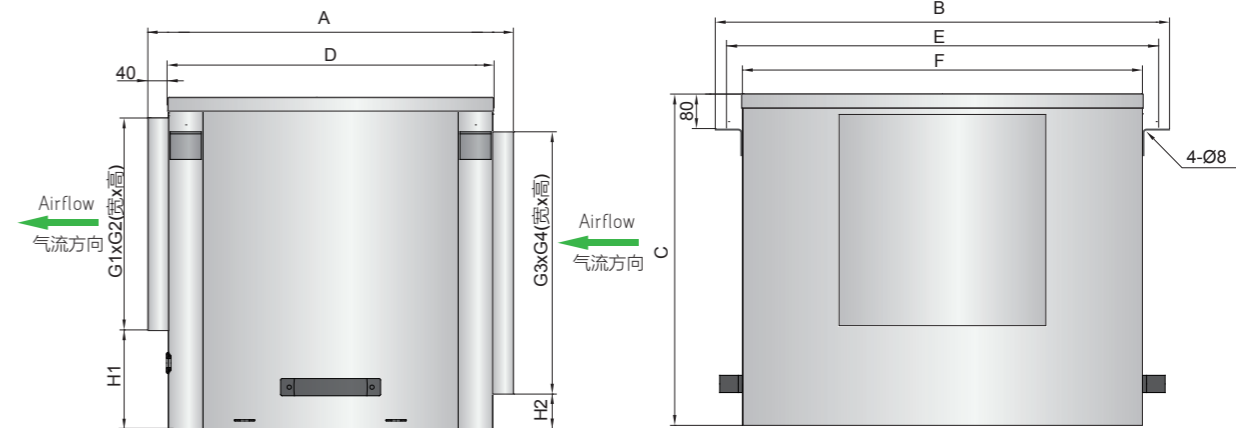
YGBS Overall Size



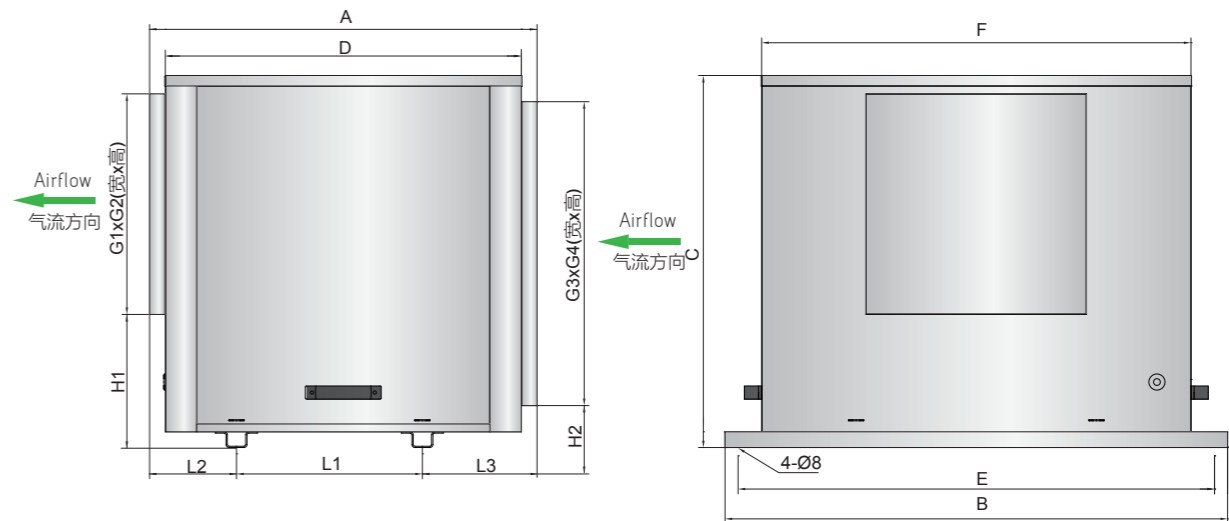
YGB系列管道风机外形尺寸图

YGB Series Fan Overall Dimension

YGB200-315(180°)



YGB355-500(180°)

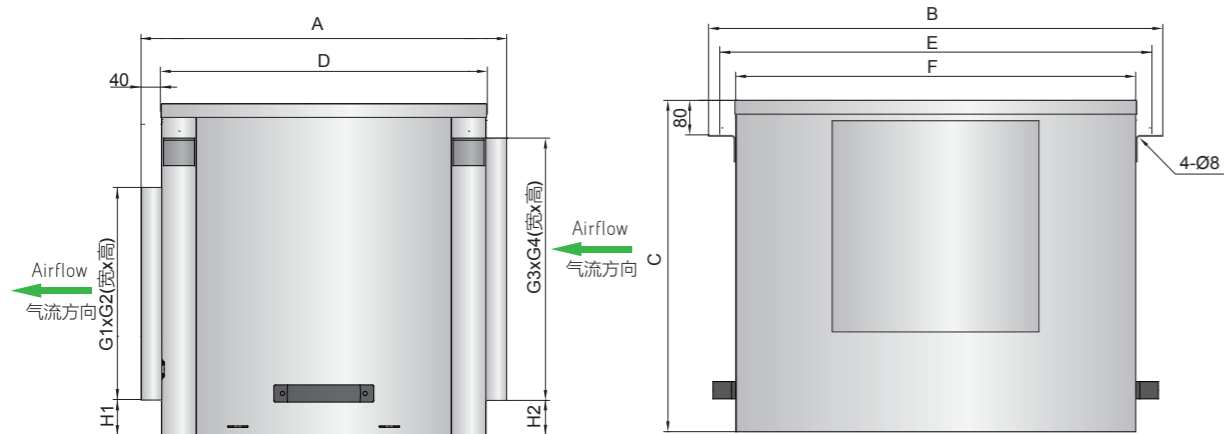


型号	A	B	C	D	E	F	L1	L2	L3	H1	H2	G1	G2	G3	G4
YGB200	440	493	400	360	462	430	-	-	-	104	66	229	223	340	270
YGB225	480	553	420	400	522	490	-	-	-	117	52	262	250	402	312
YGB250	520	613	480	440	582	550	-	-	-	133	55	285	277	460	360
YGB280	550	663	505	470	620	580	-	-	-	142	60	304	309	480	380
YGB315	640	783	570	560	740	700	-	-	-	164	60	342	342	600	440
YGB355	700	930	670	620	830	730	315	166	219	229	100	379	379	630	510
YGB400	760	1020	740	680	920	820	355	225	180	253	100	423	423	720	580
YGB450	830	1120	810	750	1020	920	400	237	193	279	116	473	473	800	630
YGB500	910	1200	890	830	1100	1000	450	245.5	214.5	320	116	510	510	880	710

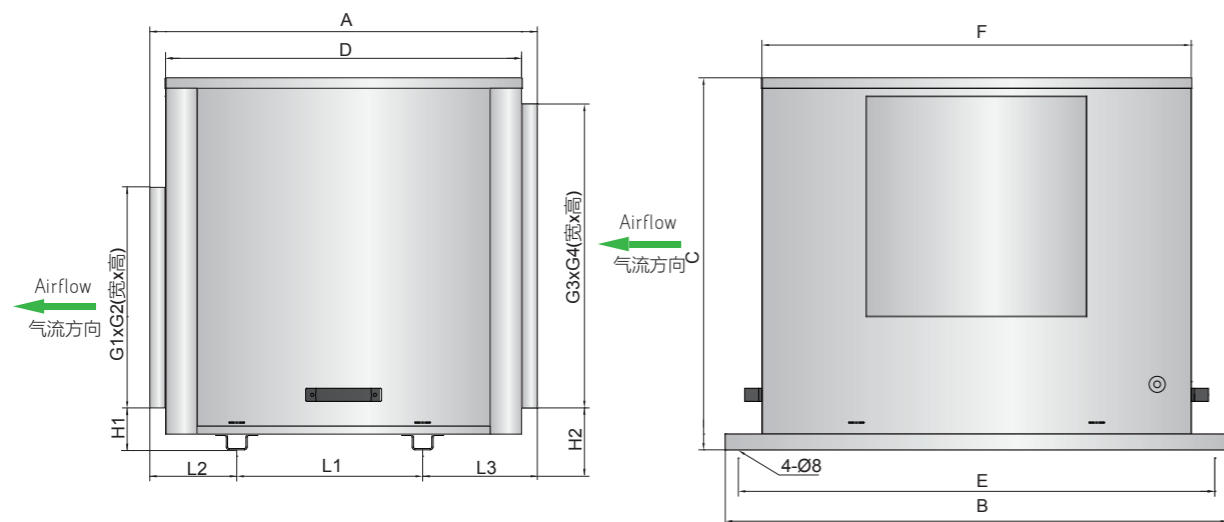
YGB系列管道风机外形尺寸图

YGB Series Fan Overall Dimension

YGB200-315(0°)



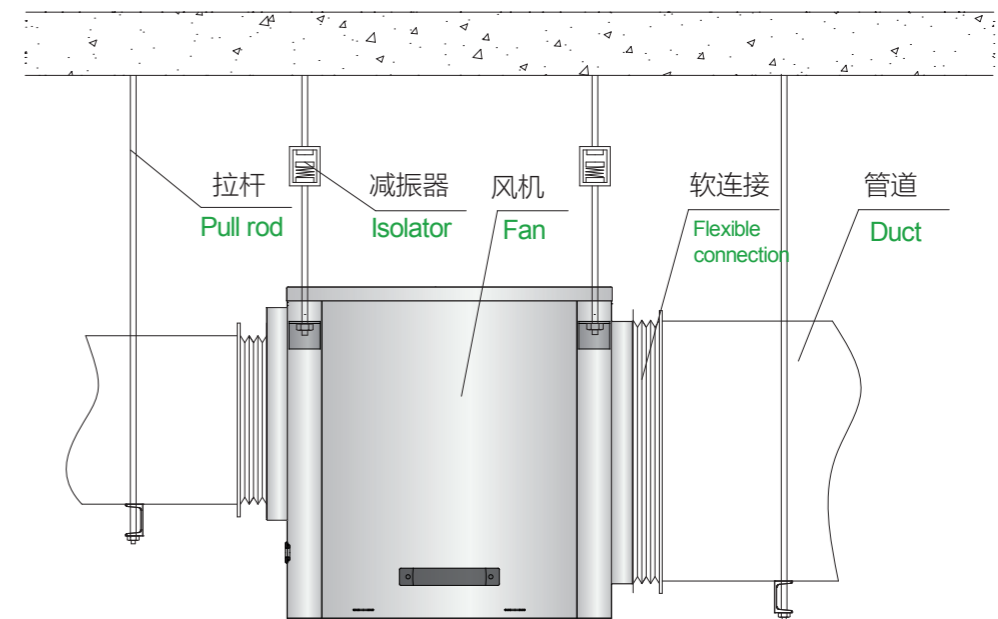
YGB355-500(0°)



型号	尺寸 (mm)															
	A	B	C	D	E	F	L1	L2	L3	H1	H2	G1	G2	G3	G4	
YGB200	440	493	400	360	462	430	-	-	-	55	67	229	223	340	270	
YGB225	480	553	420	400	522	490	-	-	-	57	53	262	250	402	312	
YGB250	520	613	480	440	582	550	-	-	-	54.5	55	285	277	460	360	
YGB280	550	663	505	470	620	580	-	-	-	55	60	304	309	480	380	
YGB315	640	783	570	560	740	700	-	-	-	55	60	342	342	600	440	
YGB355	700	930	670	620	830	730	315	215	170	95	100	379	379	630	510	
YGB400	760	1020	740	680	920	820	355	225	180	96	100	423	423	720	580	
YGB450	830	1120	810	750	1020	920	400	237	193	97	116	473	473	800	630	
YGB500	910	1200	890	830	1100	1000	450	245.5	214.5	93	116	510	510	880	710	

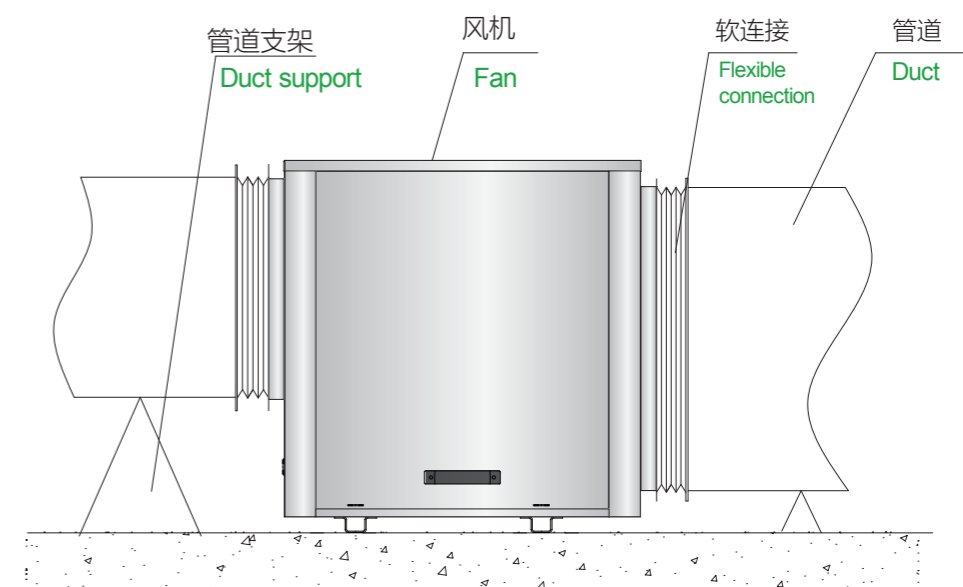
YGB系列管道风机吊装示意图

YGB Ceiling Installation Schematic Diagram



YGB系列管道风机地装示意图

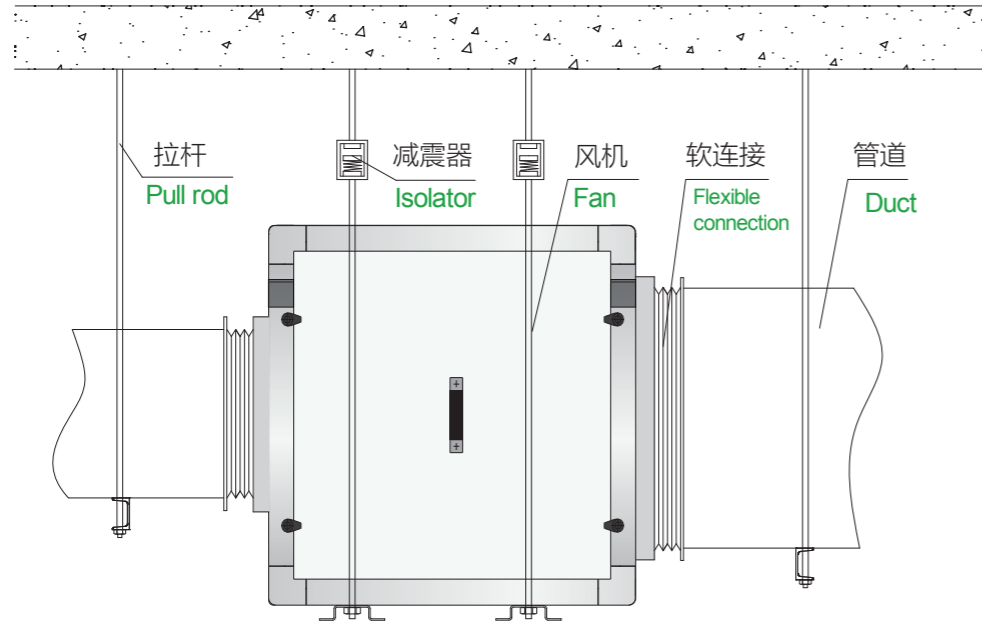
YGB Floor Installation Schematic Diagram



YGBS Ceiling Installation Schematic Diagram

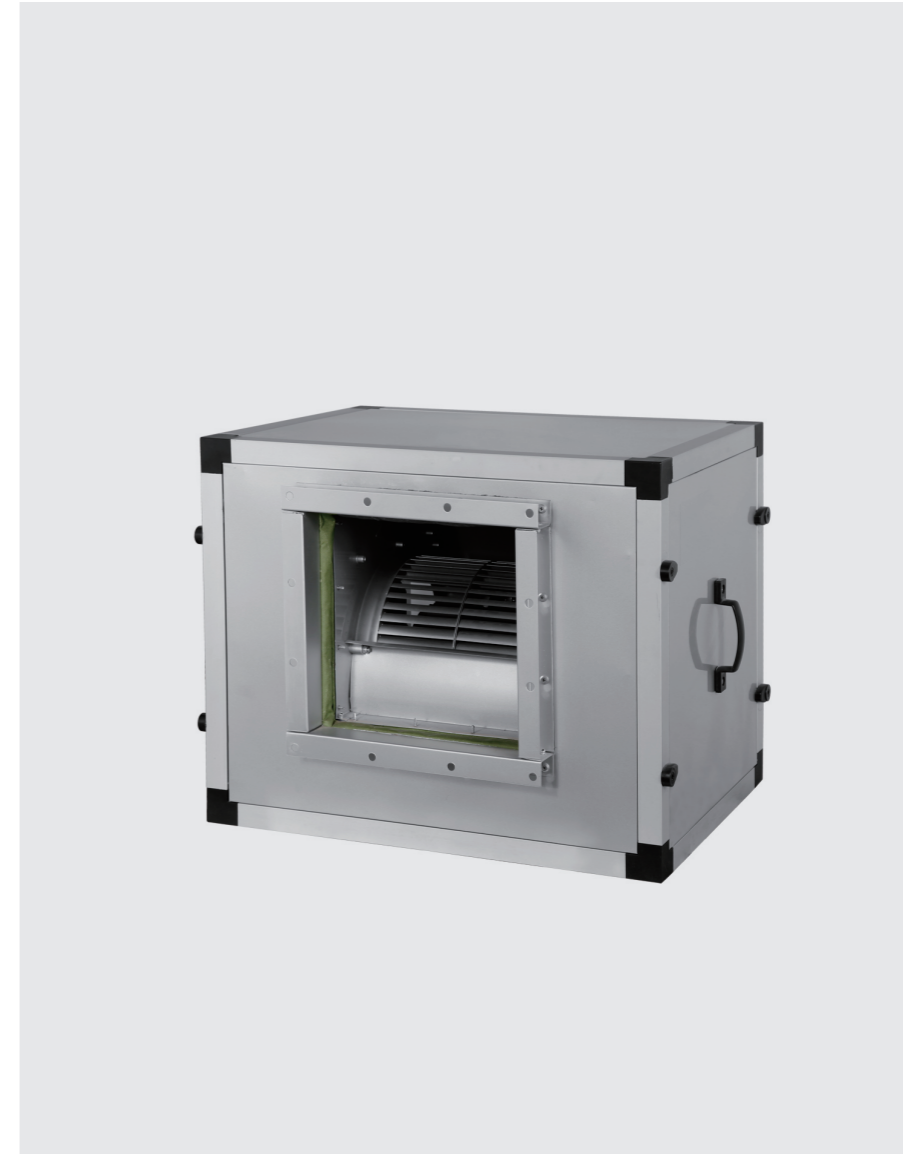
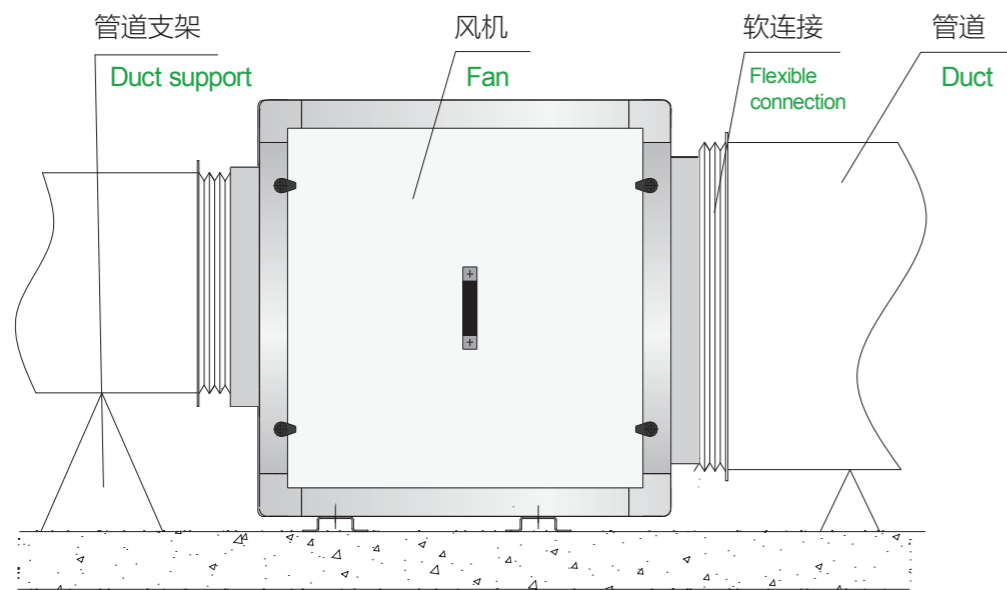
YGBS系列管道风机地装示意图

YGBS Floor Installation Schematic Diagram



YGBS系列管道风机地装示意图

YGBS Floor Installation Schematic Diagram



YGZE/YGZES 系列管道风机

YGB/YGBS

管道风机系列