

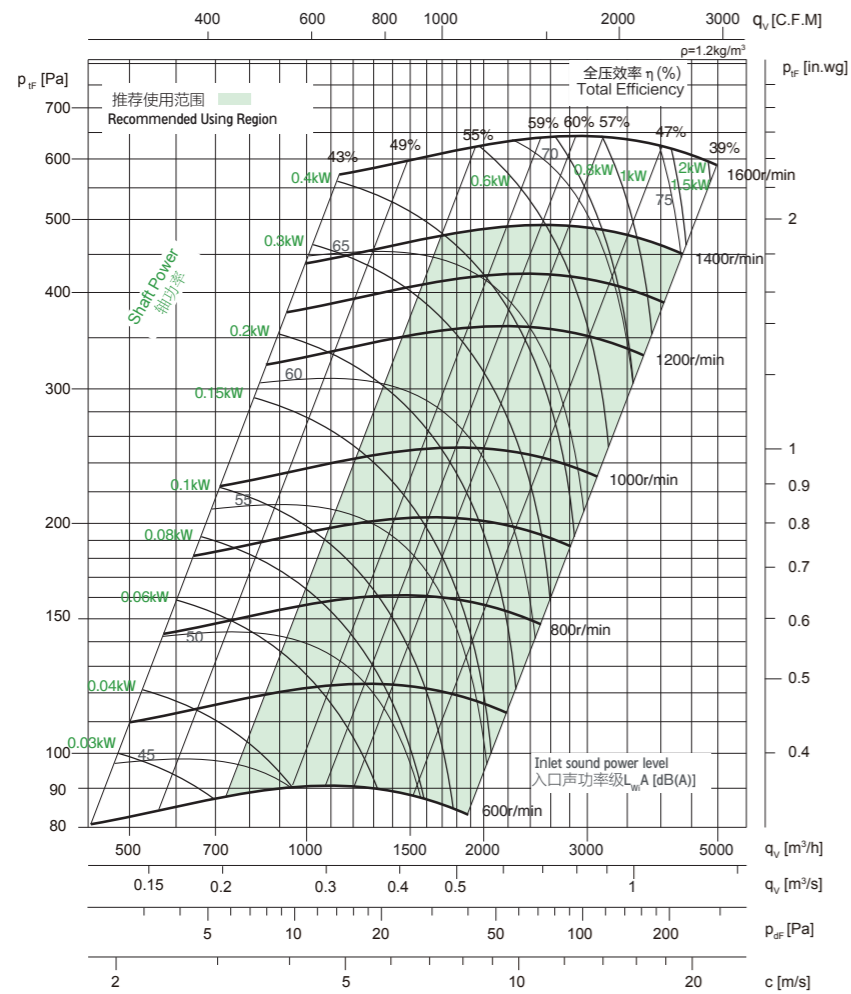
技术参数 Technical Data

| | | | | | |
|-------------------|------|-----------------------------|-------------|------|-------------------------------|
| Wheel diameter | 叶轮直径 | D = 250 mm | Fan weight | 风机质量 | m = 4.29 kg |
| Moment of inertia | 转动惯量 | J = 0.018 kg m ² | Speed limit | 极限转速 | n _{max} = 1400 r/min |

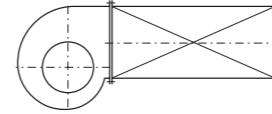
性能曲线 Performance Curves

Performance certified is for installation type B: free inlet, ducted outlet. Power rating (kW) does not include transmission losses. Performance ratings do not include the effects of appurtenances (accessories). The A-weighted sound ratings shown have been calculated per AMCA International Standard 301. Values shown are for inlet L_{WA} sound power levels for installation type B: free inlet, ducted outlet.

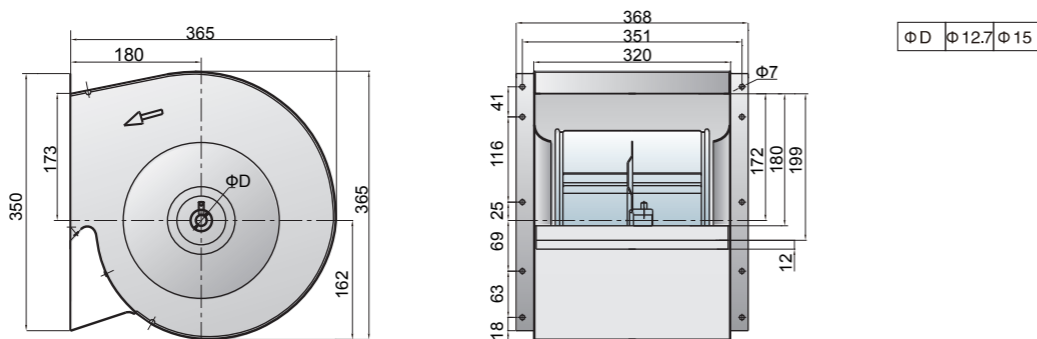
经认证的性能是B类安装:自由入口,管道出口。功率额定值(kW)不包括传输损失。各项性能额定值不包括附属物(附件)的影响。所示A加权声音性能额定值已按AMCA International标准301计算。所示值为安装类型B:自由入口,管道出口的声功率级(入口L_{WA})。



Measured in installation B according to AMCA 211:



外形尺寸 Overall Size



SYZ 系列离心式空调风机

概述

SYZ 系列离心式空调风机是基于 SYT 系列风机基础上, 参照国际同类产品先进技术自行开发的低噪声风机。额定流量从 800m³/h ~ 5000m³/h 采用单相电机直联传动, 具有效率高、噪声低、调速方便、结构紧凑等特点, 是变风量空调器、管道式空调机组、VAV 系统及其他暖通空调、净化设备理想的配套产品。

Summary

SYZ series centrifugal air-conditioning fans are based on SYT series, which are newly developed and manufactured products with internationally advanced by this company. It was developed by using high technology and with low noise and compact structure. It was specially designed for the air-conditioning. The flow rate and total pressure range of this series fan are from 800m³/h to 5000m³/h. It is the ideal equipment for the changeable air conditioners, tube type units, VAV system, heating and other kind of fan system.

命名方式

SYZ 7 - 7 I (90W - 6)

Nomenclature

电枢极数
Motor polar number

电机功率 (W)
Motor power(W)

改型标记 (I II III)
Mark of revision

叶轮宽度 (inch)
Width of Wheel(inch)

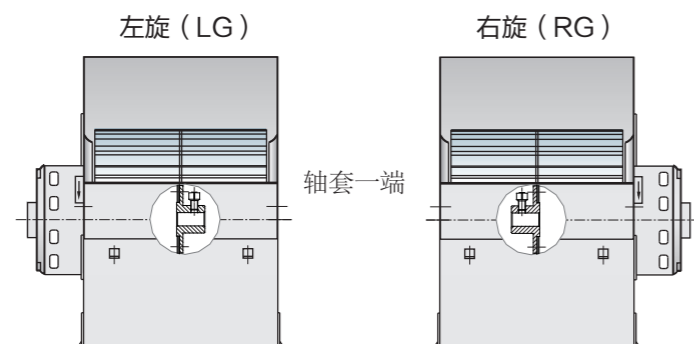
叶轮名义直径 (inch)
Nominal diameter of Wheel (inch)

风机系列代号
Fan series blades

产品型式

1. 旋向

通风机的旋转方向, 可分为顺时针旋转(右旋)和逆时针旋转(左旋)二种。顺时针旋转(右旋), 从轴套端看, 叶轮旋转方向与时针旋转方向一致。逆时针旋转(左旋), 从轴套端看, 叶轮旋转方向与时针旋转方向相反。



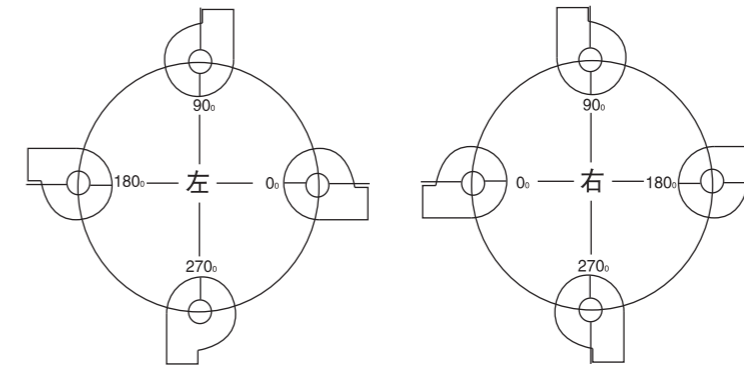
1. Rotation Direction

The rotation direction of the fan can be divided into clockwise rotation (R) and counterclockwise rotation (L). Clockwise rotation (R): From the sleeve side, the Wheel rotation direction is the same as the clockwise direction of rotation. Counterclockwise rotation (L): From the sleeve side, the Wheel rotation direction is opposite to the clockwise direction of rotation.

2. 出风口方向

SYZ 系列风机可按图 1 所示制成 0°、90°、180°、270° 四种出风方向。

图 1 (Fig 1)



2. Discharge Direction

According to Fig1, SYZ Series fans can be made in four air-outlet directions: 0°, 90°, 180°, and 270°.

产品结构

SYZ 系列风机主要由机壳、叶轮、支板、电机、四部分组成。

1. 机壳

机壳采用热镀锌钢板制造, 侧板具有符合空气动力学的外形, 进风口整体拉伸成型, 蜗板采用点焊方式与侧板连成一体。在侧板上预设一系列的铆螺母孔, 以便按照用户要求的出风口方向进行安装。

2. 叶轮

前向多翼叶轮采用优质热镀锌钢板制成, 叶片设计成符合空气动力学的特定形状, 使得效率最高, 噪声最低。叶片用铆爪固定在中盘及端圈上, 在最大功率连续运转时, 叶轮将具备足够的刚度。所有叶轮进行静平衡和动平衡测试, 内控精度达到 G2.5 级 (ANSI/AMCA-204)。

3. 支板

支板采用优质镀锌板制成, 独特加强工艺保证足够的强度, 支板安装角度可以根据用户不同需求进行调整。

4. 电机

SYZ 系列风机配用单相 220V/50HZ 三速电机, 该电机具有调速灵活、安装方便等特点。可采用可控硅调压器及变频器等手段进行无级调速。

Construction of Product

SYZ series ventilators consists of housing, Wheel, baseplate and motor.

1. Housing

The housing is made of hot galvanized steel sheet. The side plates include inlets cones that are designed with the best aerodynamics for inlet condition. The scroll is fixed to the side plates by spot welding. On the side of the housing there are a series of holes drilled in advance for riveting nuts to carry out installation according to air outlet direction needed by the customer.

2. Wheel

Forward curved Wheel is constructed of high-grade hot galvanized steel sheet with the advanced aerodynamics profile to achieve the highest efficiency and the lowest noise level. The Wheel is fixed on the center plate and on the end ring with riveting grip pres. The Wheel is constructed with maximum strength that endures the continuous operation with maximum power. All Wheels are balanced to the ANSI/AMCA 204 Notional Standard. Yilida's internal standard is G2.5 or higher for wheel balancing.

3. Frame

SYZ series fan baseplates are made of high-quality galvanized steel sheet, which can be assembled with the direction by the customer demand.

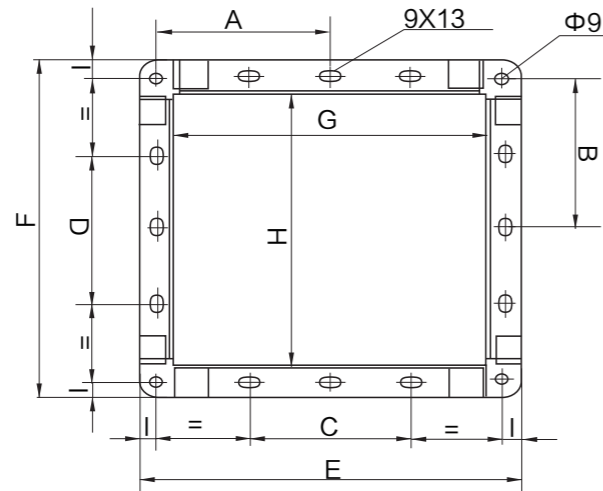
4. Motor

SYZ series fans are equipped with single-phase 220V/50HZ three speeds motors, which are flexible to change speed and easy to install, Speed can be changed by using provided silicon controlled voltage regulator and frequency converter.

5. 法兰

法兰采用优质热镀锌钢板制造，法兰与壳体的连接采用 TOX 免焊工艺，外观精美并具有足够的刚度和强度。法兰口尺寸型式参照图 2 所示。

图 2 (Fig 2)



5. Flange

The flange is made of galvanized steel. The connections of the flange components to the scroll are made using a TOX non-welding process. This maintains a good flange appearance while also providing sufficient strength and rigidity. The dimensions and type of flange are shown in Fig2.

说明

- 1). 风机配用电动机功率是指在特定工况下，内功率加上电机容量安全系数而言，并非出风口全开时所需的功率，因此为防止电机因超功率运转而烧毁，严禁风机未加任何外界阻力进行空运转。
- 2). 样本中的风机性能是选用电机额定转速测试的结果，我们亦可通过改变电机的转速达到用户实际的需求。
- 3). 风机在运输、装卸过程中应小心轻放，严禁撞击挤压，严禁堆放于潮湿或有腐蚀性的场合。
- 4). 风机安装前应用手拨动叶轮，检查是否有过紧或碰撞现象，确认没有这些现象后方可进行试运转。
- 5). 风管与风机进风口、出风口之间连接时应尽量采用软连接，接头不得拉得过紧。
- 6). 风机安装后应检查机壳和其他壳体内部，不应遗留的工具和杂物。
- 7). 风机正式运转前，需检查叶轮的转向是否符合侧板上的转向标记。
- 8). 订货时需注明风机型号、配用电动机型号、风机的风量、风压等参数。

Instructions

- 1) The rated motor power as calculated herein might not be sufficient to drive the fan with an unrestricted discharge flow. Operating the fan with an unrestricted discharge outlet will result in flow rate that exceeds the specified fan capabilities. Such operation will quickly burn the motor and damage the fan. Great care must be taken in operating the fan to make sure that the maximum rated flows, as provided on the performance charts in this catalog, are not exceeded.
- 2) The fan performance in the catalog is tested under the motor rated speed, we can meet the actual requirement of the user by changing the motor speed.
- 3) Special care should be taken during transportation, load and unload.
The fan is limited for use in areas where air substances are non-corrosive, non-toxics and non-erosive.
- 4) Following the installation, the Wheel should be turned by hand or with the use of a wrench to make sure that it turns freely without colliding with other parts of the fan. Once all this is done, the fan can be commissioned normally.
- 5) A flexible connector should be used between the fan out let flange and its mating ductwork. The flex connector should not be over-stretched.
- 6) The inside of the scroll and casing need to be checked to make sure that there are no foreign objects inside the housing, such as tools or loose parts.
- 7) The rotational directions of the motor and should be checked to ensure that they are in compliance with the specification and purchase orders.
- 8) During ordering it is necessary to state the type of fan, motor type, air flow, air pressure and other parameters.

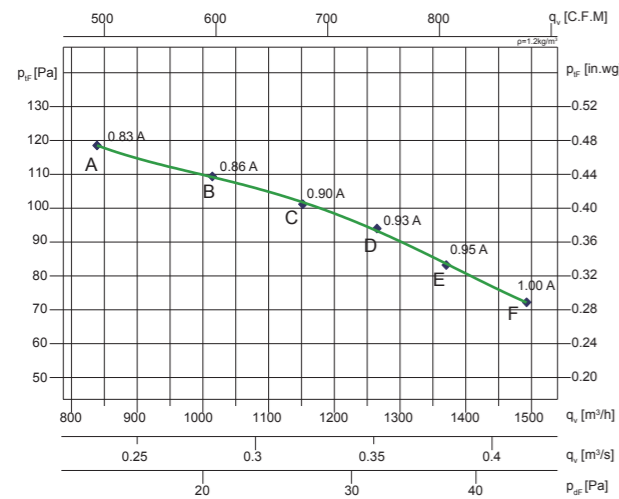
| 型号 Type | 7-7I | 7-7III | 8-7III | 8-8I | 8-9III | 9-4II | 9-7I | 9-7III | 9-9I | 9-9III | 10-8I | 10-8III | 10-10I | 10-10II | 10-10III | 12-9I | 12-12I |
|------------|------|--------|--------|-------|--------|-------|------|--------|------|--------|-------|---------|--------|---------|----------|-------|--------|
| A | 126 | 126 | 137.5 | 153.5 | 162.5 | 102.5 | 126 | 126 | 159 | 160 | 150 | 150 | 180.5 | 182 | 175 | — | — |
| B | 114 | 115 | 138 | 138 | 138 | 141 | 141 | 141 | 141 | 141 | 160.5 | 158.5 | 160.5 | 158.5 | 160.5 | — | — |
| C | — | — | — | — | — | — | — | — | — | — | — | — | — | — | — | 125 | 150 |
| D | — | — | — | — | — | — | — | — | — | — | — | — | — | — | — | 140 | 140 |
| E | 272 | 272 | 295 | 327 | 345 | 225 | 272 | 272 | 338 | 340 | 326 | 326 | 387 | 390 | 376 | 365 | 457 |
| F | 248 | 250 | 296 | 296 | 296 | 302 | 302 | 302 | 302 | 302 | 347 | 343 | 347 | 343 | 347 | 397 | 397 |
| G | 232 | 232 | 255 | 287 | 305 | 185 | 232 | 232 | 298 | 300 | 270 | 270 | 331 | 334 | 320 | 309 | 395 |
| H | 208 | 210 | 256 | 256 | 256 | 262 | 262 | 262 | 262 | 262 | 291 | 287 | 291 | 287 | 291 | 341 | 341 |
| I | 10 | 10 | 10 | 10 | 10 | 10 | 10 | 10 | 10 | 10 | 13 | 13 | 13 | 13 | 13 | 13 | 13 |

注：表格和外形尺寸的单位为 mm。

Note: the size unit in the form and overall size are mm.

技术参数

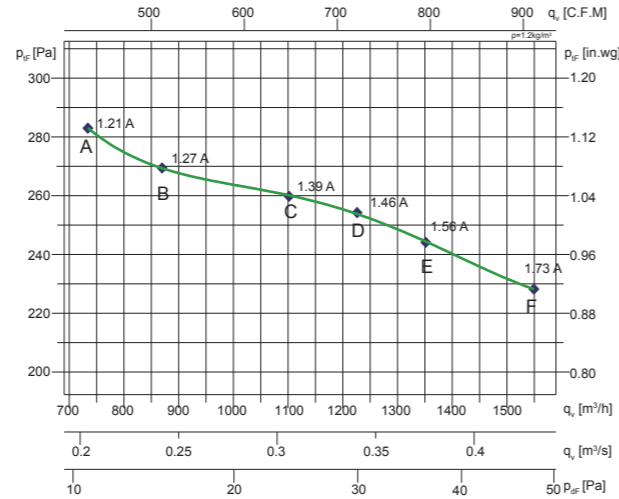
SYZ 7-7 I 90W-6



| Type: SYZ 7-7 I | | m: 8.85 kg | | P _N : 90W-6P | | | | | |
|-----------------|---------------|------------------------|-------|-------------------------|------|------|------|------|-----------------------|
| | | U: 220 v | | f _i : 50HZ | | | | | |
| | | I _N : 1.1 A | | IP: IP20 | | | | | |
| 工况点 | 风机转速 n(r/min) | 125Hz | 250Hz | 500Hz | 1kHz | 2kHz | 4kHz | 8kHz | L _w dB (A) |
| A | 934 | 48.1 | 54.3 | 55.3 | 59.1 | 56.0 | 53.5 | 46.7 | 63.4 |
| B | 918 | 48.2 | 54.9 | 57.5 | 61.4 | 58.2 | 56.9 | 48.7 | 65.5 |
| C | 905 | 49.6 | 56.1 | 59.5 | 63.3 | 59.8 | 59.2 | 50.6 | 67.3 |
| D | 893 | 51.0 | 57.4 | 60.7 | 65.0 | 61.3 | 61.6 | 53.2 | 69.1 |
| E | 878 | 52.5 | 58.7 | 62.4 | 66.5 | 62.7 | 63.2 | 55.1 | 70.6 |
| F | 864 | 53.0 | 61.3 | 63.7 | 67.6 | 64.3 | 65.2 | 62.3 | 72.4 |

Technical Data

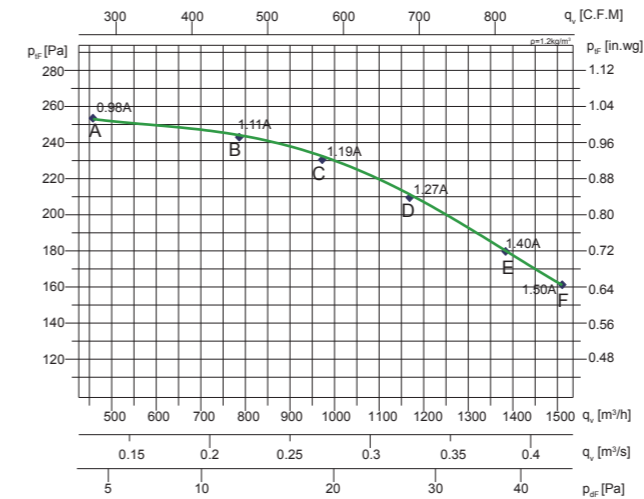
SYZ 7-7 I 200W-4



| Type: SYZ 7-7 I | | m: 9.4 kg | | P _N : 200W-4P | | | | | |
|-----------------|---------------|------------------------|-------|--------------------------|------|------|------|------|-----------------------|
| | | U: 220 v | | f _i : 50HZ | | | | | |
| | | I _N : 1.8 A | | IP: IP20 | | | | | |
| 工况点 | 风机转速 n(r/min) | 125Hz | 250Hz | 500Hz | 1kHz | 2kHz | 4kHz | 8kHz | L _w dB (A) |
| A | 1421 | 58.2 | 64.6 | 62.7 | 66.4 | 63.1 | 62.0 | 53.3 | 71.4 |
| B | 1407 | 56.9 | 63.9 | 62.3 | 66.6 | 63.5 | 62.7 | 54.4 | 71.3 |
| C | 1386 | 55.4 | 63.6 | 62.8 | 67.8 | 64.8 | 64.3 | 56.6 | 72.2 |
| D | 1370 | 55.2 | 64.6 | 63.3 | 68.3 | 65.5 | 65.5 | 58.0 | 73.0 |
| E | 1350 | 55.1 | 65.1 | 64.0 | 69.9 | 66.5 | 66.8 | 59.6 | 74.2 |
| F | 1316 | 55.3 | 65.2 | 65.3 | 71.0 | 68.1 | 68.6 | 61.8 | 75.4 |

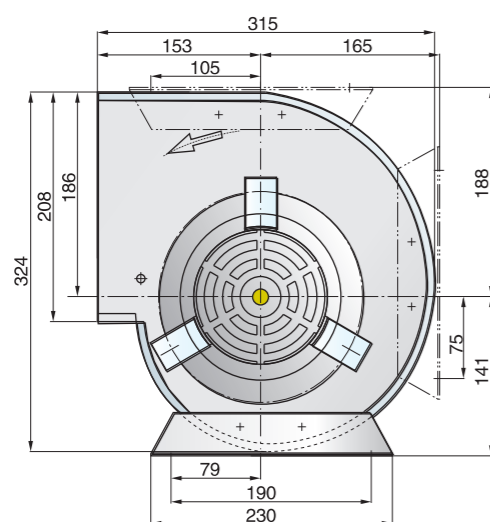
技术参数

SYZ 7-7 I 150W-4



| Type: SYZ 7-7 I | | m: 9.1 kg | | P _N : 150W-4P | | | | | |
|-----------------|---------------|------------------------|-------|--------------------------|------|------|------|------|-----------------------|
| | | U: 220 v | | f _i : 50HZ | | | | | |
| | | I _N : 1.6 A | | IP: IP20 | | | | | |
| 工况点 | 风机转速 n(r/min) | 125Hz | 250Hz | 500Hz | 1kHz | 2kHz | 4kHz | 8kHz | L _w dB (A) |
| A | 1396 | 56.3 | 63.7 | 62.5 | 65.7 | 62.4 | 61.3 | 59.9 | 70.9 |
| B | 1351 | 55.4 | 63.3 | 61.8 | 65.8 | 63.1 | 62.4 | 60.2 | 71.0 |
| C | 1319 | 54.6 | 62.8 | 62.1 | 66.7 | 64.8 | 64.2 | 60.8 | 71.9 |
| D | 1275 | 54.9 | 63.6 | 63.3 | 67.4 | 64.9 | 65.0 | 61.5 | 72.5 |
| E | 1197 | 54.8 | 63.7 | 64.3 | 68.4 | 65.9 | 66.3 | 61.8 | 73.4 |
| F | 1161 | 55.7 | 64.5 | 65.6 | 69.8 | 67.0 | 67.5 | 62.6 | 74.6 |

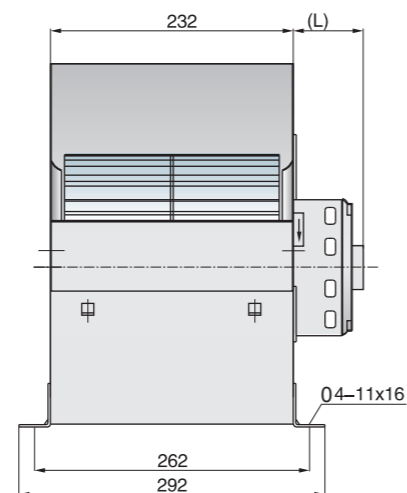
外形及安装尺寸



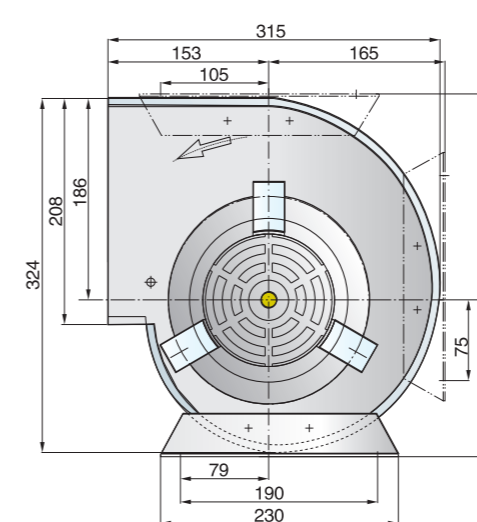
Overall Size

Note: the overall size unit is mm.

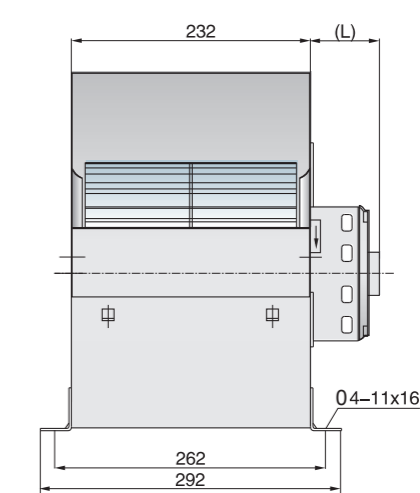
| 电机功率 | 90W-6 | 200W-4 |
|------|-------|--------|
| L | 55 | 65 |



外形及安装尺寸

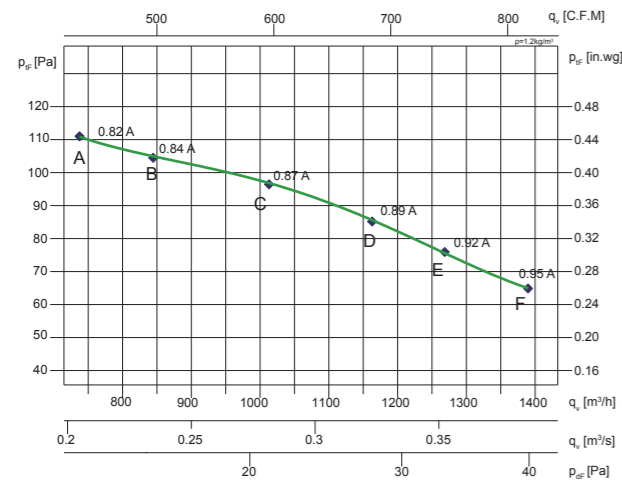


| 电机功率 | 150W-4 |
|------|--------|
| L | 65 |



技术参数

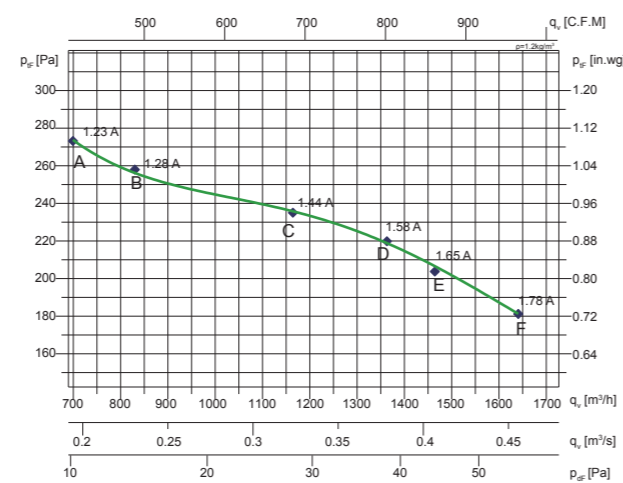
SYZ 7-7 III 90w-6



| Type: SYZ 7-7 III | | m: 8.17 kg | P_N : 90W-6P | | | | | | |
|-------------------|---------------|---------------|----------------|-------|------|------|------|------|-----------------|
| | | U: 220 v | f_1 : 50HZ | | | | | | |
| | | I_N : 1.1 A | IP: IP20 | | | | | | |
| 工况点 | 风机转速 n(r/min) | 125Hz | 250Hz | 500Hz | 1kHz | 2kHz | 4kHz | 8kHz | L_{wa} dB (A) |
| A | 940 | 46.5 | 51.9 | 52.9 | 56.4 | 53.3 | 51.0 | 46.8 | 60.8 |
| B | 935 | 47.6 | 52.0 | 54.3 | 57.4 | 54.3 | 52.4 | 47.9 | 61.9 |
| C | 923 | 44.3 | 54.3 | 57.2 | 60.1 | 56.9 | 55.4 | 50.7 | 64.5 |
| D | 908 | 49.2 | 55.7 | 60.8 | 62.6 | 59.2 | 58.1 | 53.1 | 67.1 |
| E | 898 | 50.7 | 56.8 | 61.7 | 64.5 | 61.2 | 60.2 | 55.2 | 68.8 |
| F | 886 | 51.7 | 57.8 | 63.0 | 66.4 | 62.9 | 61.9 | 57.7 | 70.5 |

Technical Data

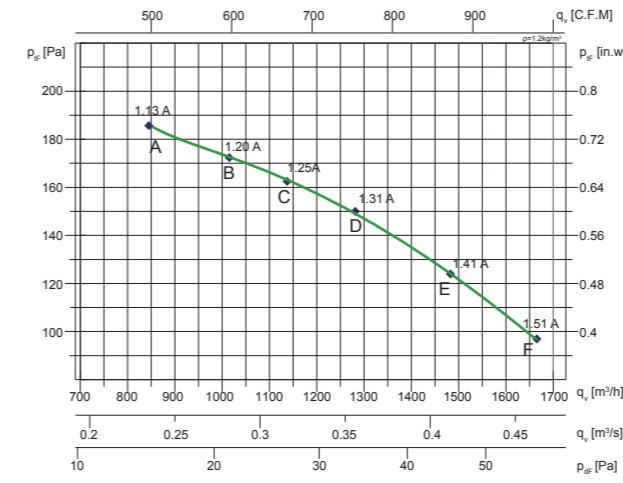
SYZ 7-7 III 200w-4



| Type: SYZ 7-7 III | | m: 8.7 kg | P_N : 200W-4P | | | | | | |
|-------------------|---------------|---------------|-----------------|-------|------|------|------|------|-----------------|
| | | U: 220 v | f_1 : 50HZ | | | | | | |
| | | I_N : 1.8 A | IP: IP20 | | | | | | |
| 工况点 | 风机转速 n(r/min) | 125Hz | 250Hz | 500Hz | 1kHz | 2kHz | 4kHz | 8kHz | L_{wa} dB (A) |
| A | 1342 | 55.6 | 65.1 | 64.0 | 67.0 | 64.3 | 63.2 | 55.7 | 72.1 |
| B | 1316 | 56.5 | 65.2 | 63.6 | 66.8 | 64.4 | 63.0 | 55.7 | 72.0 |
| C | 1265 | 53.1 | 63.4 | 63.7 | 68.2 | 65.8 | 64.9 | 58.3 | 72.7 |
| D | 1202 | 52.2 | 63.3 | 65.5 | 69.9 | 67.6 | 66.8 | 60.7 | 74.4 |
| E | 1163 | 53.2 | 63.8 | 66.4 | 71.2 | 68.6 | 67.9 | 62.3 | 75.5 |
| F | 1120 | 54.0 | 64.3 | 67.3 | 72.0 | 69.3 | 68.7 | 63.3 | 76.3 |

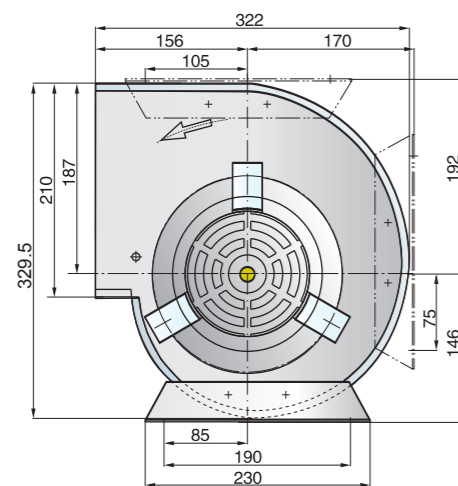
技术参数

SYZ 7-7 III 150w-4

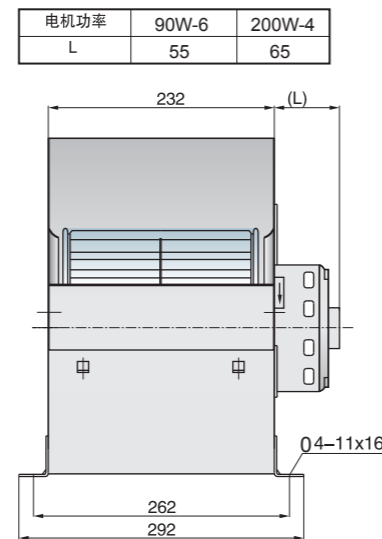


| Type: SYZ 7-7 III | | m: 8.40 kg | P_N : 150W-4P | | | | | | |
|-------------------|---------------|---------------|-----------------|-------|------|------|------|------|-----------------|
| | | U: 220 v | f_1 : 50HZ | | | | | | |
| | | I_N : 1.6 A | IP: IP20 | | | | | | |
| 工况点 | 风机转速 n(r/min) | 125Hz | 250Hz | 500Hz | 1kHz | 2kHz | 4kHz | 8kHz | L_{wa} dB (A) |
| A | 1342 | 54.7 | 64.8 | 66.8 | 66.5 | 63.7 | 62.7 | 60.4 | 72.5 |
| B | 1316 | 52.7 | 62.7 | 68.1 | 66.5 | 64.2 | 63.3 | 60.8 | 72.8 |
| C | 1295 | 51.2 | 61.6 | 67.4 | 67.0 | 64.9 | 64.0 | 61.3 | 72.8 |
| D | 1265 | 51.4 | 62.4 | 67.1 | 68.1 | 65.9 | 65.1 | 62.0 | 73.5 |
| E | 1202 | 52.3 | 63.3 | 67.5 | 69.9 | 67.4 | 66.7 | 63.0 | 74.7 |
| F | 1120 | 53.2 | 63.8 | 67.8 | 71.2 | 68.5 | 67.9 | 64.2 | 75.8 |

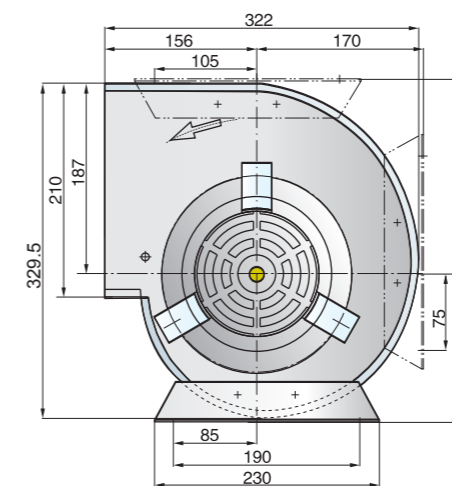
外形及安装尺寸



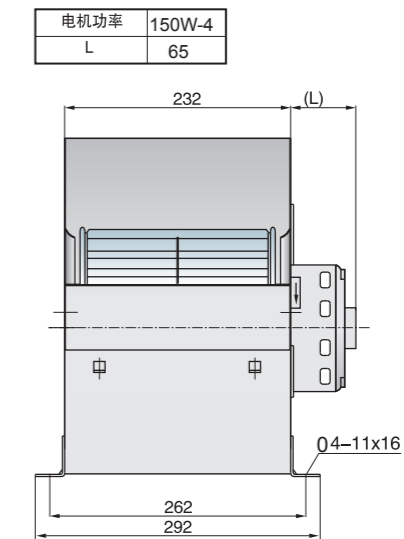
Overall Size



外形及安装尺寸

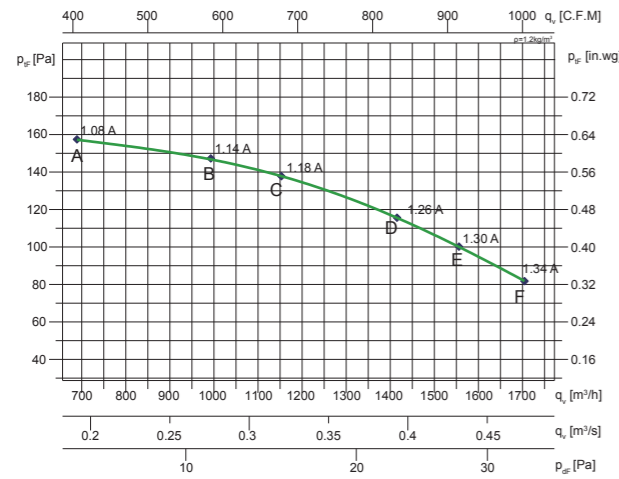


Overall Size



技术参数

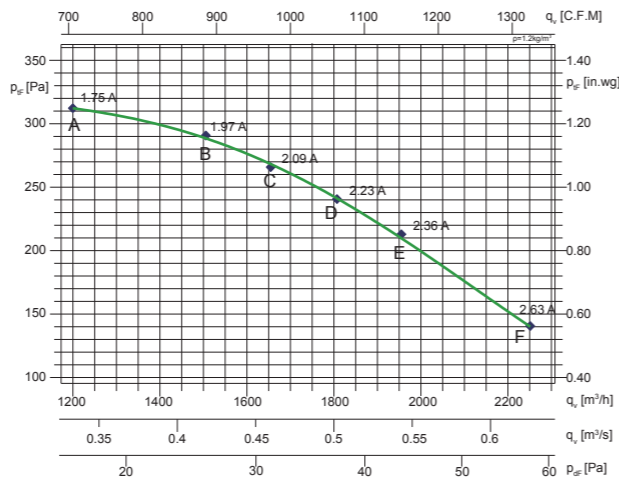
SYZ 8-7 III 200w-6



| Type: SYZ 8-7 III | | m: 9.15 kg | P _N : 200W-6P | | | | | | |
|-------------------|---------------|------------------------|--------------------------|-------|------|------|------|------|------------------------|
| | | U: 220 v | f ₁ : 50HZ | | | | | | |
| | | I _N : 2.0 A | IP: IP20 | | | | | | |
| 工况点 | 风机转速 n(r/min) | 125Hz | 250Hz | 500Hz | 1kHz | 2kHz | 4kHz | 8kHz | L _{wa} dB (A) |
| A | 976 | 58.9 | 57.9 | 59.7 | 61.0 | 56.9 | 53.6 | 45.8 | 66.4 |
| B | 967 | 59.0 | 57.6 | 59.4 | 62.0 | 58.5 | 55.8 | 47.8 | 67.0 |
| C | 963 | 58.7 | 59.0 | 60.0 | 62.7 | 59.7 | 57.8 | 49.2 | 67.8 |
| D | 955 | 59.5 | 60.7 | 61.2 | 64.0 | 61.9 | 60.6 | 52.8 | 69.4 |
| E | 952 | 59.7 | 62.4 | 61.8 | 65.0 | 63.1 | 61.9 | 54.7 | 70.5 |
| F | 947 | 60.1 | 63.6 | 63.7 | 66.3 | 64.4 | 63.3 | 56.3 | 71.8 |

Technical Data

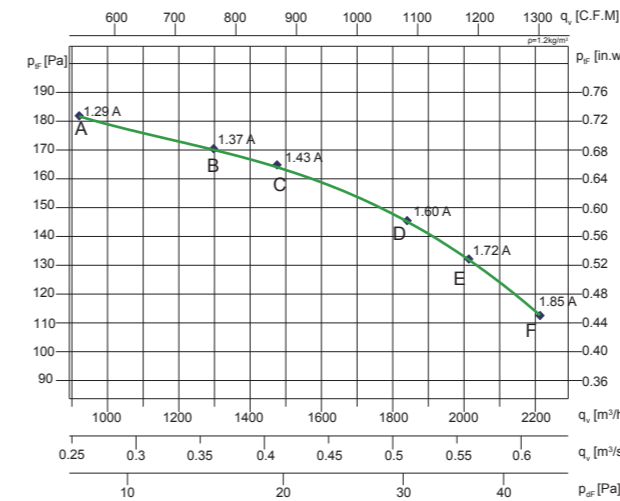
SYZ 8-7 III 300w-4



| Type: SYZ 8-7 III | | m: 11.95 kg | P _N : 300W-4P | | | | | | |
|-------------------|---------------|------------------------|--------------------------|-------|------|------|------|------|------------------------|
| | | U: 220 v | f ₁ : 50HZ | | | | | | |
| | | I _N : 3.7 A | IP: IP20 | | | | | | |
| 工况点 | 风机转速 n(r/min) | 125Hz | 250Hz | 500Hz | 1kHz | 2kHz | 4kHz | 8kHz | L _{wa} dB (A) |
| A | 1389 | 59.1 | 66.7 | 67.8 | 69.6 | 70.1 | 68.2 | 62.9 | 76.0 |
| B | 1366 | 62.1 | 68.6 | 64.7 | 68.9 | 67.1 | 65.8 | 61.3 | 74.8 |
| C | 1343 | 62.5 | 68.9 | 65.2 | 69.1 | 67.6 | 66.5 | 61.9 | 75.2 |
| D | 1319 | 61.9 | 69.0 | 66.1 | 69.4 | 68.2 | 67.5 | 62.5 | 75.6 |
| E | 1300 | 61.8 | 69.6 | 67.4 | 70.8 | 69.5 | 69.3 | 64.0 | 76.8 |
| F | 1244 | 61.7 | 69.8 | 69.1 | 72.6 | 71.1 | 71.0 | 65.9 | 78.2 |

技术参数

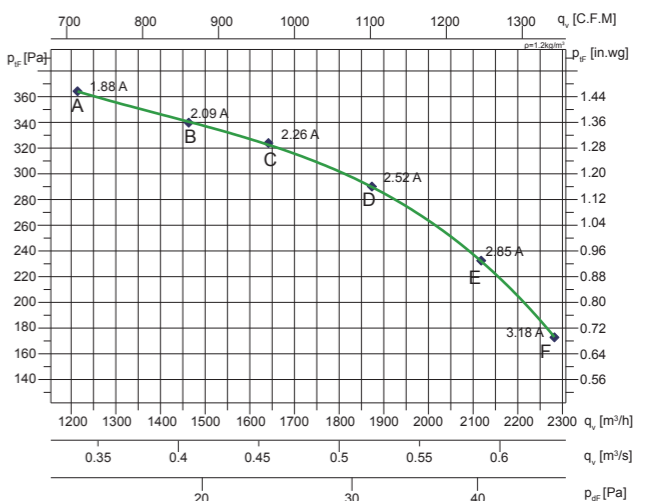
SYZ 8-8 I 200w-6



| Type: SYZ 8-8 I | | m: 14.05 kg | P _N : 200W-6P | | | | | | |
|-----------------|---------------|------------------------|--------------------------|-------|------|------|------|------|------------------------|
| | | U: 220 v | f ₁ : 50HZ | | | | | | |
| | | I _N : 2.0 A | IP: IP20 | | | | | | |
| 工况点 | 风机转速 n(r/min) | 125Hz | 250Hz | 500Hz | 1kHz | 2kHz | 4kHz | 8kHz | L _{wa} dB (A) |
| A | 965 | 55.7 | 64.2 | 61.3 | 68.5 | 61.4 | 57.6 | 57.1 | 71.4 |
| B | 955 | 55.5 | 64.1 | 62.2 | 68.2 | 64.1 | 61.4 | 57.7 | 72.0 |
| C | 951 | 56.5 | 64.5 | 64.4 | 68.4 | 65.1 | 63.0 | 58.5 | 72.8 |
| D | 931 | 58.0 | 65.2 | 64.5 | 67.8 | 67.2 | 67.0 | 60.9 | 73.8 |
| E | 921 | 58.7 | 66.1 | 64.6 | 67.9 | 68.5 | 68.8 | 62.1 | 74.8 |
| F | 906 | 58.5 | 66.1 | 66.2 | 69.5 | 69.9 | 70.7 | 63.5 | 76.2 |

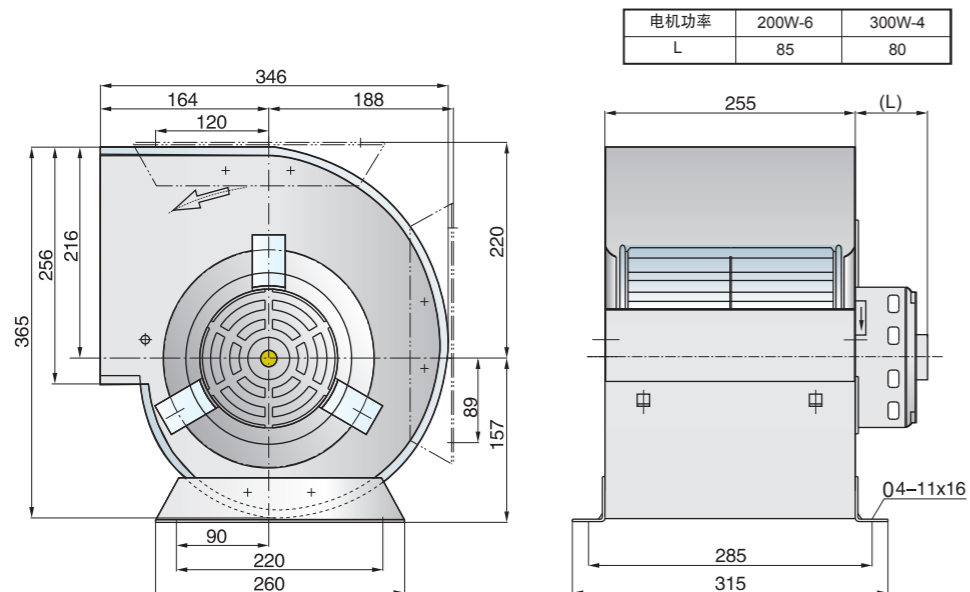
Technical Data

SYZ 8-8 I 300w-4



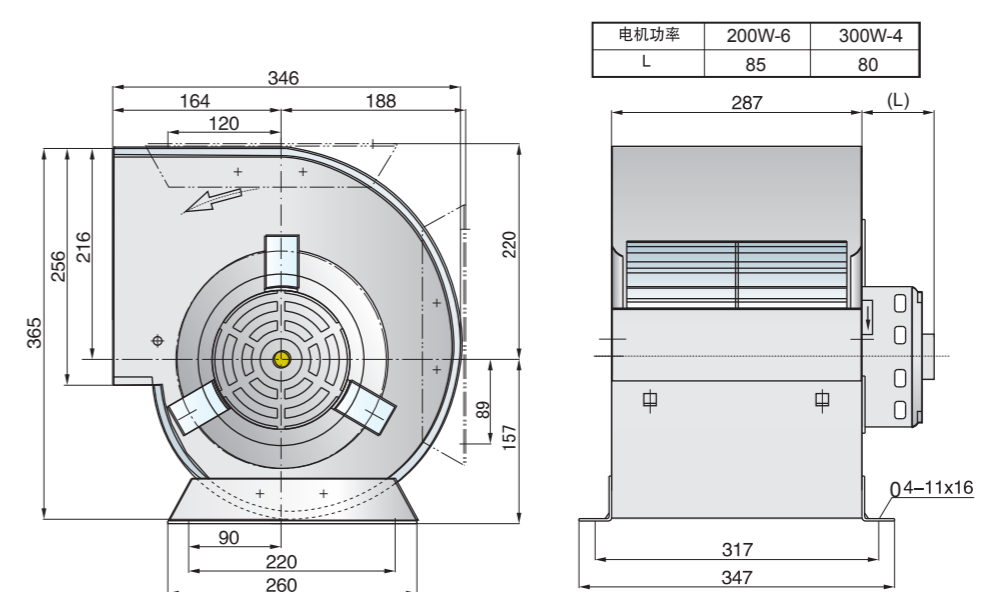
| Type: SYZ 8-8 I | | m: 13.35 kg | P _N : 300W-4P | | | | | | |
|-----------------|---------------|------------------------|--------------------------|-------|------|------|------|------|------------------------|
| | | U: 220 v | f ₁ : 50HZ | | | | | | |
| | | I _N : 3.7 A | IP: IP20 | | | | | | |
| 工况点 | 风机转速 n(r/min) | 125Hz | 250Hz | 500Hz | 1kHz | 2kHz | 4kHz | 8kHz | L _{wa} dB (A) |
| A | 1370 | 62.6 | 69.7 | 66.1 | 67.9 | 67.1 | 66.9 | 61.5 | 75.2 |
| B | 1338 | 62.0 | 67.7 | 65.4 | 68.5 | 67.7 | 67.8 | 62.0 | 75.0 |
| C | 1310 | 60.6 | 68.4 | 65.3 | 68.9 | 68.3 | 68.5 | 62.4 | 75.4 |
| D | 1260 | 60.9 | 69.0 | 64.8 | 69.6 | 69.1 | 69.5 | 63.4 | 76.1 |
| E | 1160 | 61.8 | 68.4 | 65.8 | 70.8 | 70.1 | 70.8 | 64.2 | 76.9 |
| F | 1051 | 61.1 | 67.9 | 66.2 | 71.1 | 70.5 | 71.4 | 64.5 | 77.2 |

外形及安装尺寸



Overall Size

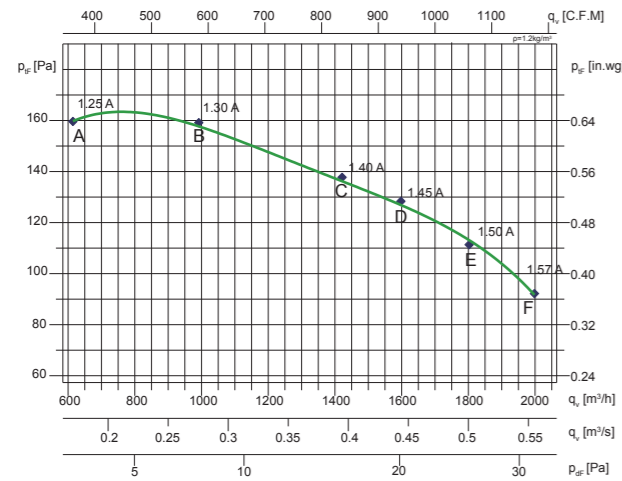
外形及安装尺寸



Overall Size

技术参数

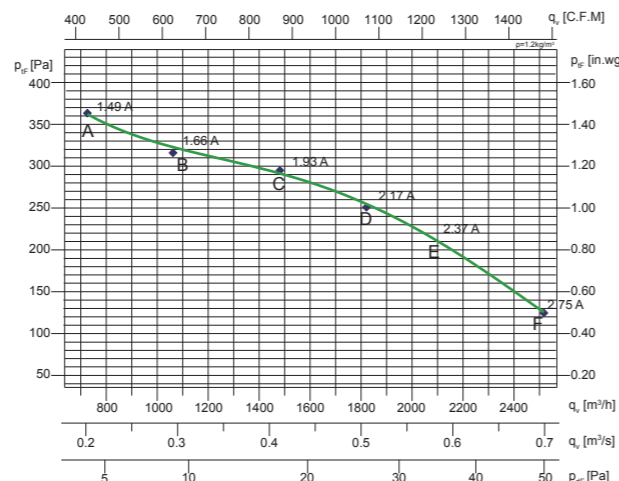
SYZ 8-9 III 200w-6



| Type: SYZ 8-9 III | m: 9.85 kg | P_N : 200W-6P | | | | | | | |
|----------------------|---------------------|-----------------|-------|-------|------|------|------|------|-----------------|
| | U: 220 v | f_1 : 50HZ | | | | | | | |
| | I_N : 2.0 A | IP: IP20 | | | | | | | |
| 工况点 | 风机转速 n (r/min) | 125Hz | 250Hz | 500Hz | 1kHz | 2kHz | 4kHz | 8kHz | L_{wa} dB (A) |
| A | 970 | 57.4 | 59.8 | 56.0 | 59.2 | 56.6 | 54.6 | 48.4 | 65.5 |
| B | 963 | 57.1 | 59.0 | 56.7 | 59.9 | 58.3 | 55.4 | 47.8 | 65.8 |
| C | 959 | 58.0 | 61.5 | 58.6 | 62.4 | 61.4 | 59.5 | 51.5 | 68.4 |
| D | 950 | 58.5 | 62.3 | 59.9 | 63.5 | 62.5 | 60.6 | 53.0 | 69.4 |
| E | 942 | 59.0 | 63.1 | 62.6 | 64.3 | 63.4 | 61.5 | 54.0 | 70.5 |
| F | 934 | 59.6 | 63.9 | 63.8 | 65.4 | 64.4 | 62.3 | 55.1 | 71.7 |

Technical Data

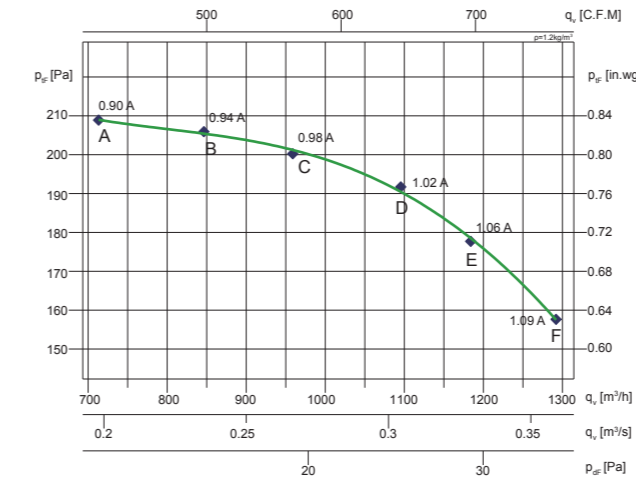
SYZ 8-9 III 300w-4



| Type: SYZ 8-9 III | m: 11.95 kg | P_N : 300W-4P | | | | | | | |
|----------------------|---------------------|-----------------|-------|-------|------|------|------|------|-----------------|
| | U: 220 v | f_1 : 50HZ | | | | | | | |
| | I_N : 3.7 A | IP: IP20 | | | | | | | |
| 工况点 | 风机转速 n (r/min) | 125Hz | 250Hz | 500Hz | 1kHz | 2kHz | 4kHz | 8kHz | L_{wa} dB (A) |
| A | 1423 | 60.7 | 68.1 | 64.8 | 67.1 | 66.1 | 64.5 | 56.8 | 73.7 |
| B | 1403 | 60.7 | 68.1 | 64.8 | 67.1 | 66.1 | 64.5 | 56.4 | 73.6 |
| C | 1373 | 60.4 | 67.4 | 62.8 | 67.0 | 66.5 | 64.8 | 57.5 | 73.3 |
| D | 1333 | 61.7 | 69.7 | 63.8 | 68.5 | 67.5 | 66.3 | 59.5 | 74.9 |
| E | 1299 | 61.9 | 69.4 | 64.5 | 69.6 | 68.4 | 67.7 | 60.7 | 75.6 |
| F | 1218 | 62.3 | 70.1 | 66.9 | 72.3 | 71.0 | 70.8 | 62.9 | 77.8 |

技术参数

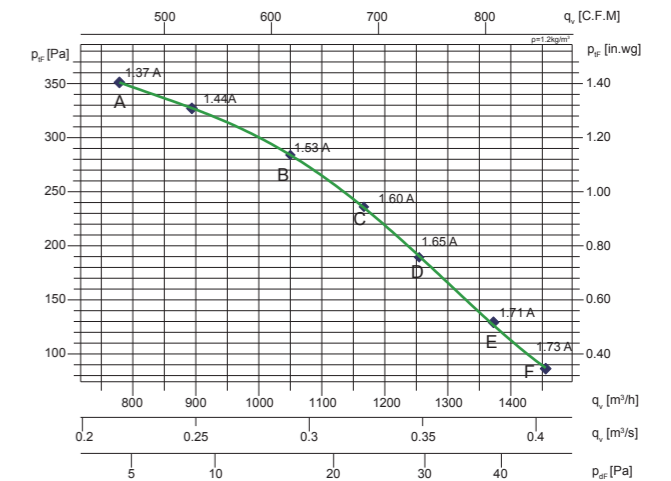
SYZ 9-4 II 90w-6



| Type: SYZ 9-4 II | m: 9.75 kg | P_N : 90W-6P | | | | | | | |
|---------------------|---------------------|----------------|-------|-------|------|------|------|------|-----------------|
| | U: 220 v | f_1 : 50HZ | | | | | | | |
| | I_N : 1.1 A | IP: IP20 | | | | | | | |
| 工况点 | 风机转速 n (r/min) | 125Hz | 250Hz | 500Hz | 1kHz | 2kHz | 4kHz | 8kHz | L_{wa} dB (A) |
| A | 916 | 46.3 | 55.8 | 57.9 | 61.8 | 58.6 | 54.3 | 43.4 | 65.5 |
| B | 902 | 45.6 | 55.3 | 58.6 | 62.1 | 59.4 | 55.7 | 44.0 | 66.0 |
| C | 885 | 45.2 | 56.6 | 59.5 | 62.6 | 60.3 | 57.2 | 45.2 | 66.8 |
| D | 865 | 46.6 | 57.1 | 60.8 | 63.7 | 61.5 | 59.2 | 47.7 | 68.1 |
| E | 851 | 49.1 | 58.8 | 61.8 | 64.7 | 62.4 | 60.4 | 49.4 | 69.1 |
| F | 831 | 49.1 | 59.7 | 62.3 | 65.0 | 63.1 | 61.3 | 50.8 | 69.7 |

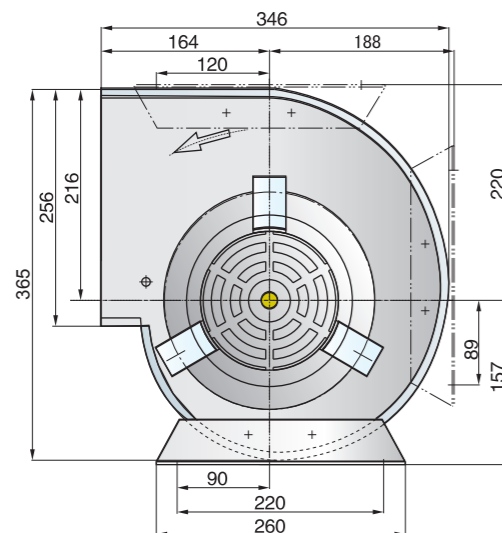
Technical Data

SYZ 9-4 II 150w-4

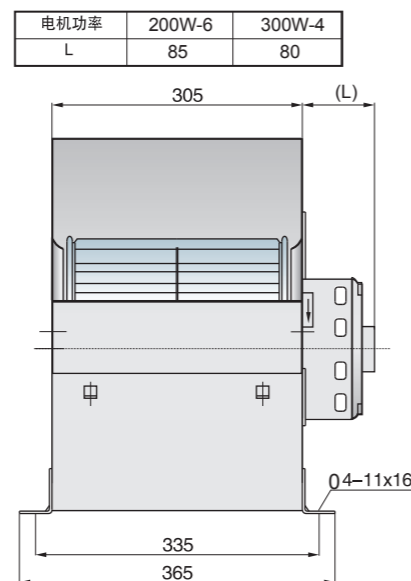


| Type: SYZ 9-4 II | m: 10.35 kg | P_N : 150W-4P | | | | | | | |
|---------------------|---------------------|-----------------|-------|-------|------|------|------|------|-----------------|
| | U: 220 v | f_1 : 50HZ | | | | | | | |
| | I_N : 1.6 A | IP: IP20 | | | | | | | |
| 工况点 | 风机转速 n (r/min) | 125Hz | 250Hz | 500Hz | 1kHz | 2kHz | 4kHz | 8kHz | L_{wa} dB (A) |
| A | 1239 | 54.7 | 62.0 | 64.4 | 67.1 | 65.8 | 63.9 | 54.2 | 72.1 |
| B | 1191 | 52.5 | 61.8 | 64.2 | 67.3 | 65.7 | 63.6 | 53.9 | 72.0 |
| C | 1102 | 52.7 | 60.5 | 63.6 | 67.3 | 65.8 | 63.9 | 53.4 | 71.9 |
| D | 1029 | 49.9 | 59.9 | 63.1 | 67.4 | 65.7 | 63.9 | 53.1 | 71.7 |
| E | 951 | 49.9 | 60.3 | 63.4 | 67.5 | 66.0 | 64.4 | 54.0 | 72.0 |
| F | 851 | 50.7 | 61.3 | 64.2 | 67.8 | 66.2 | 64.8 | 54.6 | 72.5 |

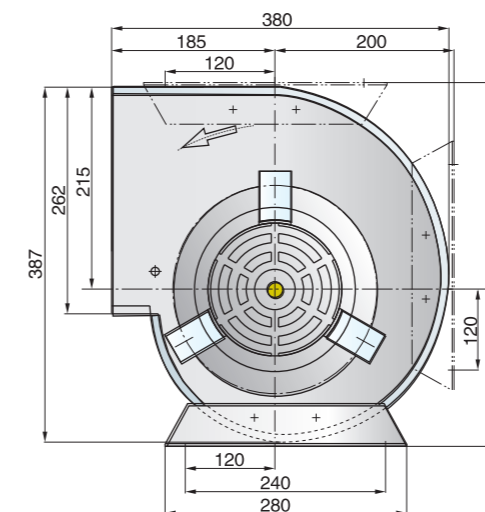
外形及安装尺寸



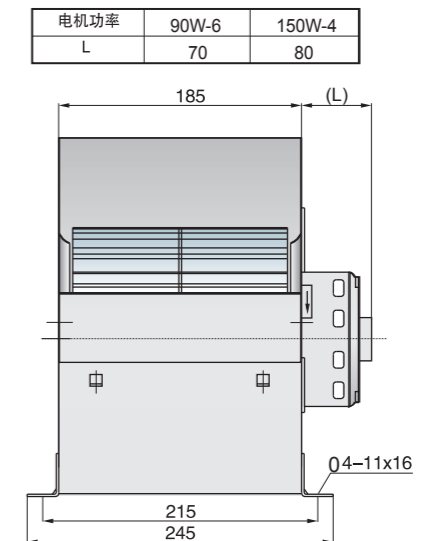
Overall Size



外形及安装尺寸

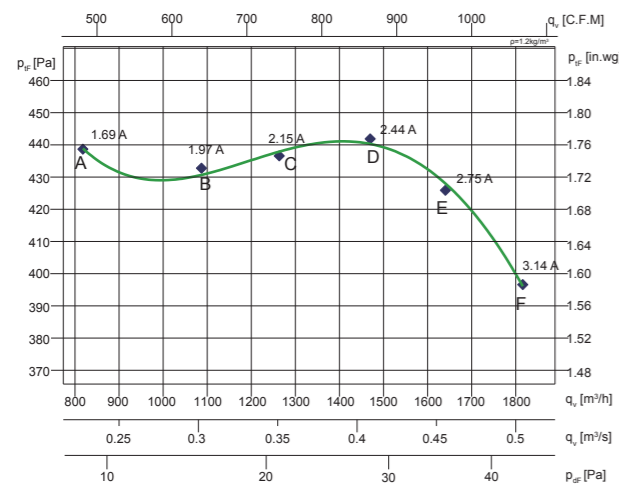


Overall Size



技术参数

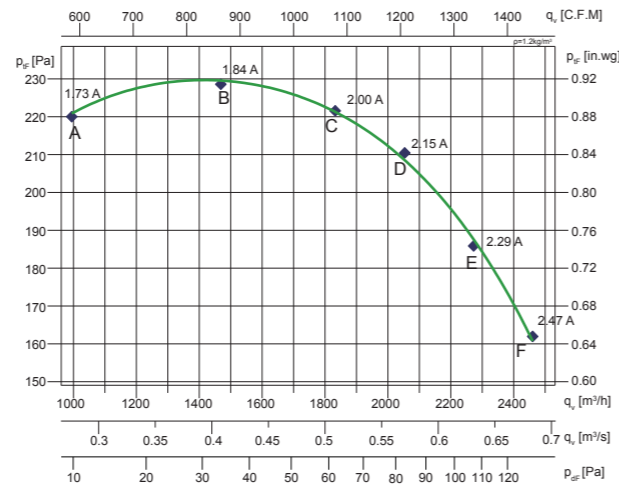
SYZ 9-7 I 375W-4



| Type: | m: 14.85 kg | P _N : 375W-4P | | | | | | | |
|-----------|------------------------|--------------------------|-------|-------|------|------|------|------|------------------------|
| SYZ 9-7 I | U: 220 v | f ₁ : 50HZ | | | | | | | |
| | I _N : 4.2 A | IP: IP20 | | | | | | | |
| 工况点 | 风机转速 n(r/min) | 125Hz | 250Hz | 500Hz | 1kHz | 2kHz | 4kHz | 8kHz | L _{WA} dB (A) |
| A | 1427 | 63.0 | 68.9 | 67.0 | 67.7 | 65.8 | 64.4 | 56.6 | 74.4 |
| B | 1401 | 61.9 | 68.4 | 67.5 | 68.5 | 66.4 | 65.9 | 58.5 | 74.8 |
| C | 1380 | 60.6 | 67.3 | 66.5 | 69.2 | 66.6 | 66.4 | 59.4 | 74.6 |
| D | 1348 | 58.2 | 66.1 | 67.1 | 69.4 | 67.2 | 67.5 | 60.6 | 74.9 |
| E | 1307 | 56.0 | 64.6 | 66.3 | 70.0 | 67.7 | 68.4 | 61.4 | 75.0 |
| F | 1253 | 55.8 | 64.5 | 66.4 | 70.8 | 68.5 | 69.4 | 62.6 | 75.7 |

Technical Data

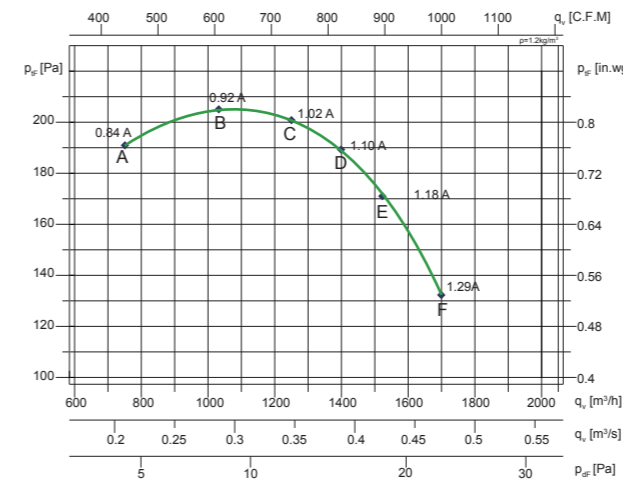
SYZ 9-7 I 375W-6



| Type: | m: 15.7 kg | P _N : 375W-6P | | | | | | | |
|-----------|------------------------|--------------------------|-------|-------|------|------|------|------|------------------------|
| SYZ 9-7 I | U: 220 v | f ₁ : 50HZ | | | | | | | |
| | I _N : 3.5 A | IP: IP20 | | | | | | | |
| 工况点 | 风机转速 n(r/min) | 125Hz | 250Hz | 500Hz | 1kHz | 2kHz | 4kHz | 8kHz | L _{WA} dB (A) |
| A | 969 | 55.0 | 63.4 | 59.3 | 61.7 | 60.1 | 57.8 | 48.7 | 68.2 |
| B | 952 | 53.0 | 60.1 | 61.4 | 64.5 | 62.9 | 62.7 | 53.7 | 69.8 |
| C | 937 | 53.2 | 61.2 | 64.0 | 67.6 | 65.9 | 66.9 | 59.2 | 72.9 |
| D | 924 | 56.1 | 63.3 | 65.5 | 69.4 | 68.0 | 69.2 | 62.0 | 74.9 |
| E | 909 | 58.5 | 65.5 | 66.8 | 71.0 | 69.9 | 71.0 | 64.4 | 76.7 |
| F | 895 | 59.8 | 66.6 | 67.8 | 72.2 | 71.1 | 72.5 | 66.1 | 78.0 |

技术参数

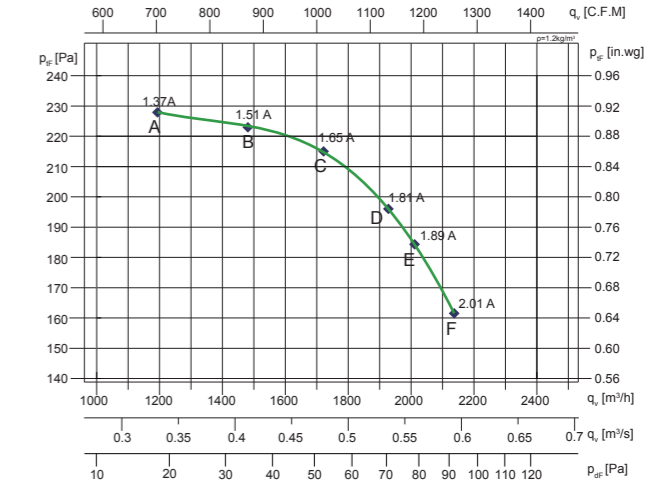
SYZ 9-7 I 150W-6



| Type: | m: 12.85 kg | P _N : 150W-6P | | | | | | | |
|-----------|------------------------|--------------------------|-------|-------|------|------|------|------|------------------------|
| SYZ 9-7 I | U: 220 v | f ₁ : 50HZ | | | | | | | |
| | I _N : 1.4 A | IP: IP20 | | | | | | | |
| 工况点 | 风机转速 n(r/min) | 125Hz | 250Hz | 500Hz | 1kHz | 2kHz | 4kHz | 8kHz | L _{WA} dB (A) |
| A | 931 | 52.1 | 58.6 | 57.6 | 59.4 | 57.9 | 54.7 | 44.7 | 65.2 |
| B | 906 | 50.1 | 58.6 | 58.2 | 60.4 | 58.4 | 56.4 | 56.4 | 65.8 |
| C | 876 | 50.1 | 59.5 | 59.6 | 61.9 | 60.2 | 59.2 | 59.2 | 67.3 |
| D | 852 | 52.5 | 59.8 | 61.1 | 63.4 | 61.6 | 61.1 | 61.1 | 68.7 |
| E | 823 | 54.5 | 62.3 | 62.6 | 64.6 | 62.9 | 63.0 | 63.0 | 70.4 |
| F | 771 | 56.1 | 61.8 | 63.0 | 65.0 | 63.6 | 64.1 | 64.1 | 70.9 |

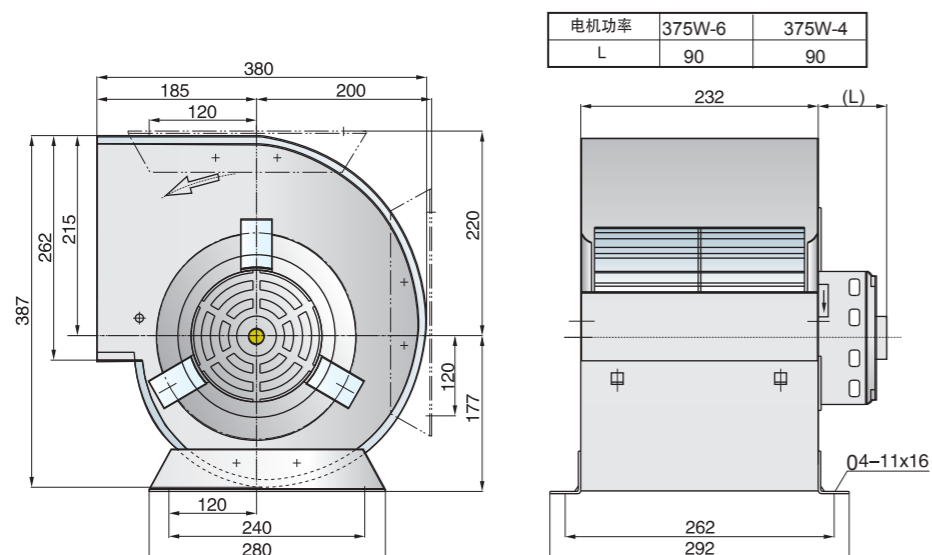
Technical Data

SYZ 9-7 I 250W-6



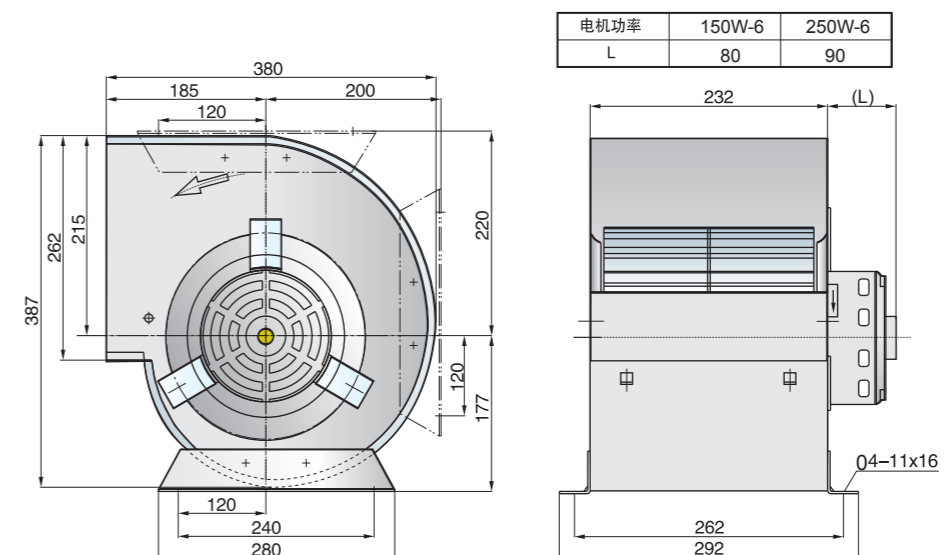
| Type: | m: 13.25 kg | P _N : 250W-6P | | | | | | | |
|-----------|------------------------|--------------------------|-------|-------|------|------|------|------|------------------------|
| SYZ 9-7 I | U: 220 v | f ₁ : 50HZ | | | | | | | |
| | I _N : 2.1 A | IP: IP20 | | | | | | | |
| 工况点 | 风机转速 n(r/min) | 125Hz | 250Hz | 500Hz | 1kHz | 2kHz | 4kHz | 8kHz | L _{WA} dB (A) |
| A | 956 | 54.3 | 62.2 | 60.9 | 64.3 | 62.2 | 61.1 | 52.1 | 69.5 |
| B | 941 | 52.8 | 59.7 | 61.7 | 64.7 | 63.1 | 62.9 | 54.2 | 69.9 |
| C | 924 | 55.2 | 61.3 | 63.6 | 67.0 | 65.3 | 65.6 | 57.7 | 72.2 |
| D | 908 | 58.8 | 63.8 | 65.1 | 69.0 | 67.2 | 67.8 | 60.6 | 74.3 |
| E | 900 | 58.6 | 64.5 | 65.6 | 69.7 | 67.8 | 68.5 | 61.6 | 74.9 |
| F | 885 | 58.5 | 65.3 | 66.1 | 70.1 | 68.7 | 69.6 | 62.8 | 75.7 |

外形及安装尺寸



Overall Size

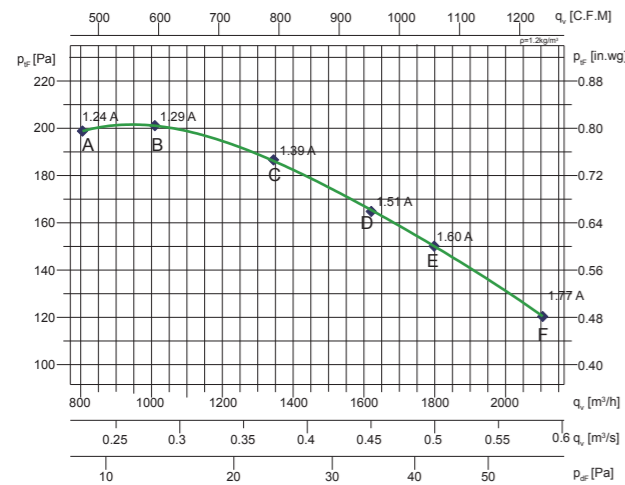
外形及安装尺寸



Overall Size

技术参数

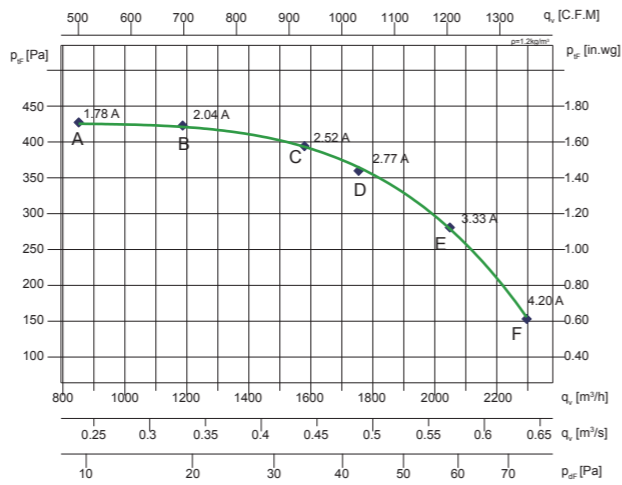
SYZ 9-7 III 250W-6



| Type: SYZ 9-7 III | | m: 11.7 kg | P _N : 250W-6P | | | | | | |
|-------------------|---------------|------------------------|--------------------------|-------|------|------|------|------|------------------------|
| | | U: 220 v | f ₁ : 50HZ | | | | | | |
| | | I _N : 2.1 A | IP: IP20 | | | | | | |
| 工况点 | 风机转速 n(r/min) | 125Hz | 250Hz | 500Hz | 1kHz | 2kHz | 4kHz | 8kHz | L _{WA} dB (A) |
| A | 970 | 59.3 | 59.4 | 59.0 | 63.5 | 62.3 | 62.1 | 60.0 | 69.6 |
| B | 963 | 58.7 | 59.6 | 59.5 | 64.0 | 62.3 | 61.5 | 58.6 | 69.5 |
| C | 950 | 57.2 | 60.4 | 61.1 | 65.3 | 63.1 | 61.5 | 55.2 | 70.1 |
| D | 939 | 57.2 | 62.1 | 63.0 | 67.2 | 64.7 | 63.6 | 57.9 | 71.8 |
| E | 930 | 57.8 | 63.2 | 64.3 | 68.4 | 66.2 | 65.3 | 59.8 | 73.2 |
| F | 915 | 56.3 | 65.0 | 66.7 | 71.1 | 68.7 | 68.1 | 63.0 | 75.7 |

Technical Data

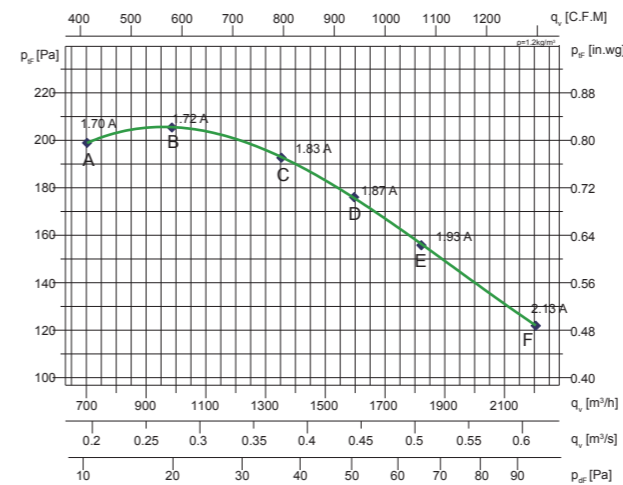
SYZ 9-7 III 375W-4



| Type: SYZ 9-7 III | | m: 13.3 kg | P _N : 375W-4P | | | | | | |
|-------------------|---------------|------------------------|--------------------------|-------|------|------|------|------|------------------------|
| | | U: 220 v | f ₁ : 50HZ | | | | | | |
| | | I _N : 4.2 A | IP: IP20 | | | | | | |
| 工况点 | 风机转速 n(r/min) | 125Hz | 250Hz | 500Hz | 1kHz | 2kHz | 4kHz | 8kHz | L _{WA} dB (A) |
| A | 1420 | 64.7 | 70.1 | 68.4 | 70.3 | 68.9 | 66.6 | 60.8 | 76.5 |
| B | 1392 | 63.2 | 69.0 | 66.7 | 69.7 | 68.7 | 67.0 | 61.7 | 75.8 |
| C | 1326 | 60.7 | 67.7 | 67.3 | 70.6 | 69.7 | 68.4 | 63.7 | 76.3 |
| D | 1294 | 60.9 | 67.1 | 67.5 | 71.3 | 70.2 | 69.3 | 64.8 | 76.8 |
| E | 1200 | 61.2 | 68.2 | 68.5 | 72.5 | 71.0 | 70.4 | 66.0 | 77.8 |
| F | 1108 | 59.5 | 67.4 | 68.9 | 73.3 | 71.3 | 70.5 | 66.2 | 78.1 |

技术参数

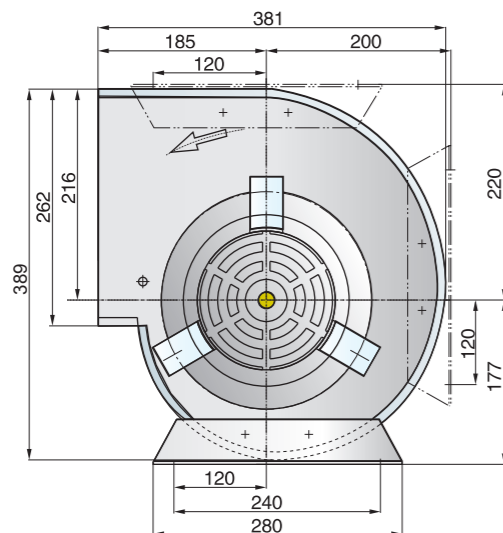
SYZ 9-7 III 375W-6



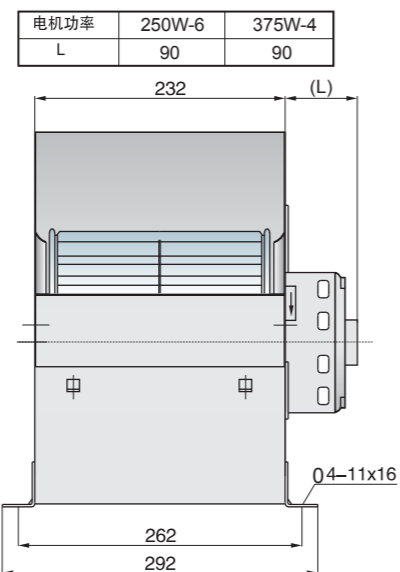
| Type: SYZ 9-7 III | | m: 8.85 kg | P _N : 375W-6P | | | | | | |
|-------------------|---------------|------------------------|--------------------------|-------|------|------|------|------|------------------------|
| | | U: 220 v | f ₁ : 50HZ | | | | | | |
| | | I _N : 1.1 A | IP: IP20 | | | | | | |
| 工况点 | 风机转速 n(r/min) | 125Hz | 250Hz | 500Hz | 1kHz | 2kHz | 4kHz | 8kHz | L _{WA} dB (A) |
| A | 977 | 54.1 | 60.5 | 58.9 | 61.9 | 58.4 | 55.4 | 48.4 | 66.8 |
| B | 970 | 53.1 | 60.1 | 58.8 | 62.8 | 60.0 | 57.4 | 50.7 | 67.4 |
| C | 960 | 53.1 | 60.6 | 61.0 | 65.6 | 62.8 | 61.1 | 55.4 | 69.9 |
| D | 951 | 55.0 | 61.8 | 63.1 | 66.8 | 64.8 | 63.5 | 58.2 | 71.6 |
| E | 944 | 55.9 | 63.5 | 65.0 | 68.8 | 66.7 | 65.6 | 60.6 | 73.6 |
| F | 932 | 58.6 | 66.0 | 67.7 | 71.9 | 70.0 | 69.2 | 64.5 | 76.8 |

Technical Data

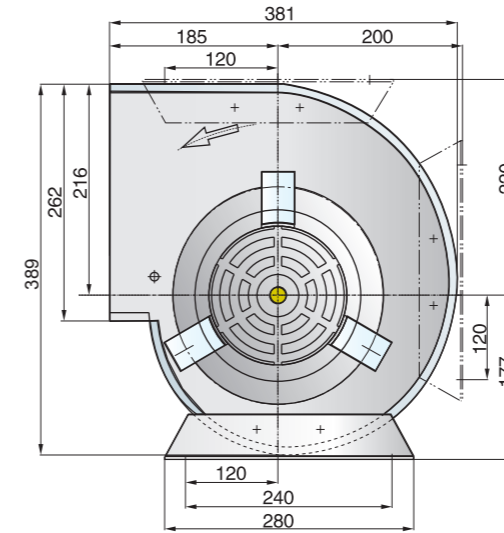
外形及安装尺寸



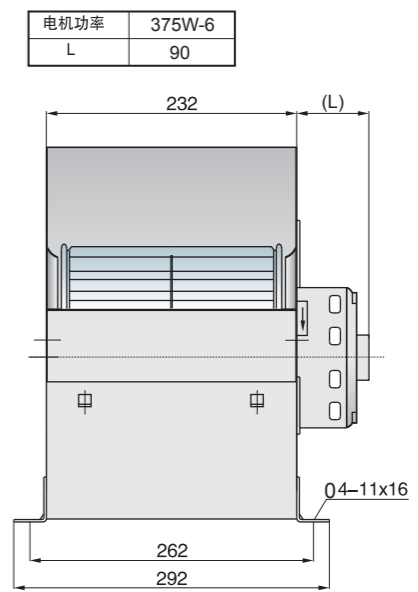
Overall Size



外形及安装尺寸

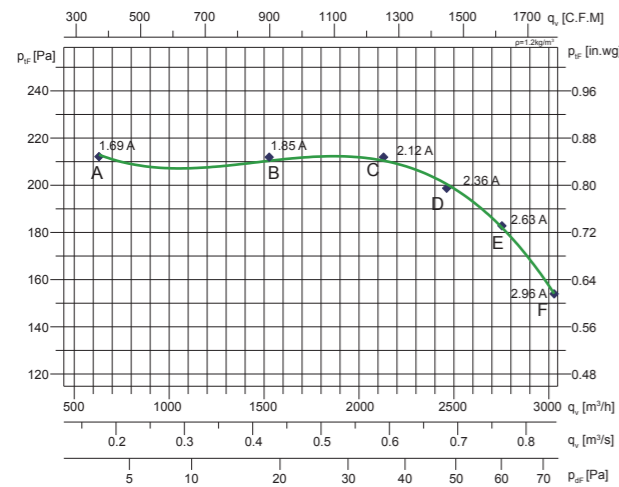


Overall Size



技术参数

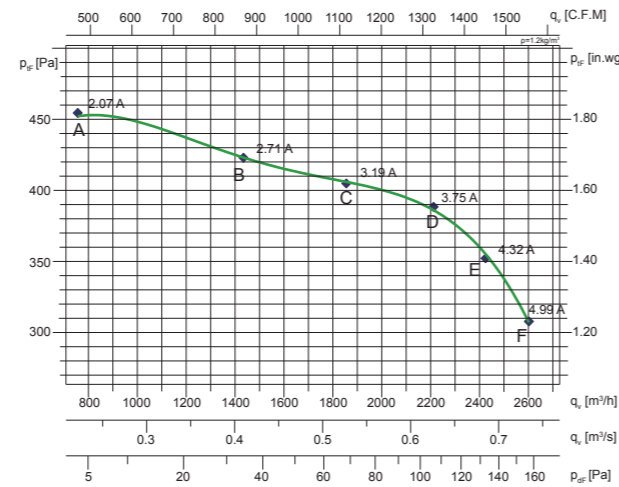
SYZ 9-9 I 375w-6



| Type: SYZ 9-9 I | m: 16.55 kg | P_N : 375W-6P | | | | | | | |
|--------------------|------------------|-----------------|-------|-------|------|------|------|------|-----------------|
| | U: 220 v | f_1 : 50HZ | | | | | | | |
| | I_N : 3.5 A | IP: IP20 | | | | | | | |
| 工况点 | 风机转速 n(r/min) | 125Hz | 250Hz | 500Hz | 1kHz | 2kHz | 4kHz | 8kHz | L_{wa} dB (A) |
| A | 975 | 56.9 | 67.5 | 61.7 | 64.4 | 60.9 | 59.8 | 48.9 | 71.0 |
| B | 950 | 54.1 | 68.5 | 59.9 | 65.7 | 64.5 | 61.1 | 49.8 | 72.1 |
| C | 923 | 55.7 | 64.3 | 63.6 | 67.3 | 65.5 | 65.6 | 55.9 | 72.6 |
| D | 902 | 59.7 | 64.1 | 65.7 | 69.4 | 67.9 | 68.2 | 59.8 | 74.7 |
| E | 873 | 59.4 | 65.3 | 67.1 | 71.0 | 70.0 | 70.5 | 62.8 | 76.6 |
| F | 840 | 60.3 | 66.4 | 68.6 | 72.5 | 72.0 | 72.5 | 65.0 | 78.3 |

Technical Data

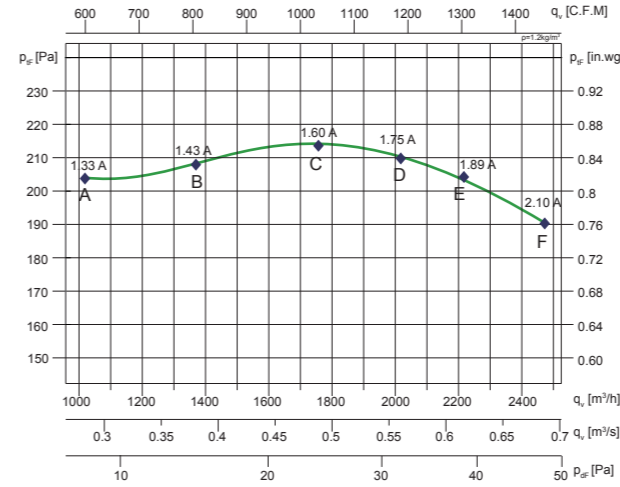
SYZ 9-9 I 450w-4



| Type: SYZ 9-9 I | m: 16.75 kg | P_N : 450W-4P | | | | | | | |
|--------------------|------------------|-----------------|-------|-------|------|------|------|------|-----------------|
| | U: 220 v | f_1 : 50HZ | | | | | | | |
| | I_N : 5.0 A | IP: IP20 | | | | | | | |
| 工况点 | 风机转速 n(r/min) | 125Hz | 250Hz | 500Hz | 1kHz | 2kHz | 4kHz | 8kHz | L_{wa} dB (A) |
| A | 1423 | 65.0 | 71.2 | 66.9 | 69.3 | 67.6 | 65.9 | 57.8 | 76.0 |
| B | 1371 | 64.1 | 70.5 | 66.5 | 69.9 | 68.4 | 66.7 | 58.5 | 76.1 |
| C | 1323 | 60.4 | 67.9 | 65.1 | 69.5 | 68.3 | 67.2 | 58.9 | 75.1 |
| D | 1261 | 59.4 | 67.6 | 66.7 | 71.1 | 69.8 | 69.1 | 60.7 | 76.3 |
| E | 1187 | 59.6 | 67.3 | 67.6 | 71.9 | 70.4 | 70.2 | 62.2 | 77.0 |
| F | 1103 | 59.0 | 66.3 | 67.2 | 71.5 | 70.2 | 70.4 | 62.7 | 76.8 |

技术参数

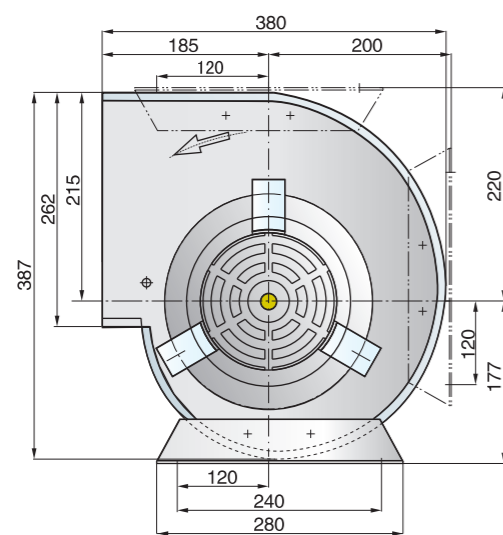
SYZ 9-9 I 250w-6



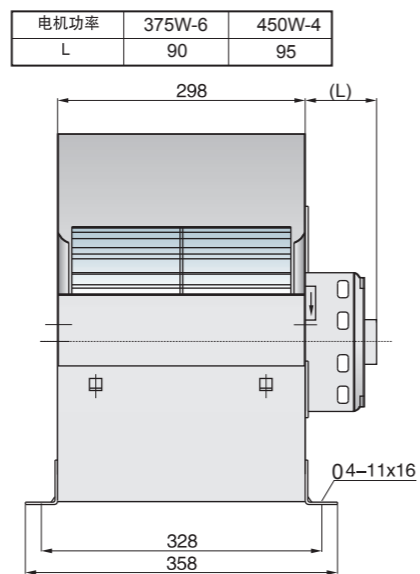
| Type: SYZ 9-9 I | m: 14.10 kg | P_N : 250W-6P | | | | | | | |
|--------------------|------------------|-----------------|-------|-------|------|------|------|------|-----------------|
| | U: 220 v | f_1 : 50HZ | | | | | | | |
| | I_N : 2.1 A | IP: IP20 | | | | | | | |
| 工况点 | 风机转速 n(r/min) | 125Hz | 250Hz | 500Hz | 1kHz | 2kHz | 4kHz | 8kHz | L_{wa} dB (A) |
| A | 959 | 56.4 | 61.8 | 58.5 | 62.0 | 59.5 | 56.1 | 48.3 | 67.5 |
| B | 947 | 54.2 | 59.4 | 57.9 | 62.1 | 60.4 | 57.6 | 48.4 | 67.1 |
| C | 928 | 54.3 | 60.4 | 60.7 | 64.1 | 62.7 | 61.4 | 51.3 | 69.3 |
| D | 914 | 53.9 | 60.4 | 62.0 | 65.3 | 64.2 | 64.0 | 54.1 | 70.7 |
| E | 899 | 54.4 | 61.3 | 63.1 | 66.5 | 65.3 | 65.5 | 56.5 | 71.9 |
| F | 875 | 57.6 | 62.4 | 64.7 | 67.9 | 67.1 | 67.5 | 59.6 | 73.6 |

Technical Data

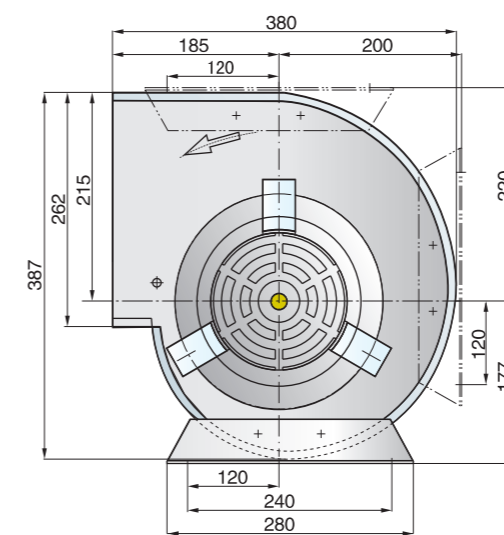
外形及安装尺寸



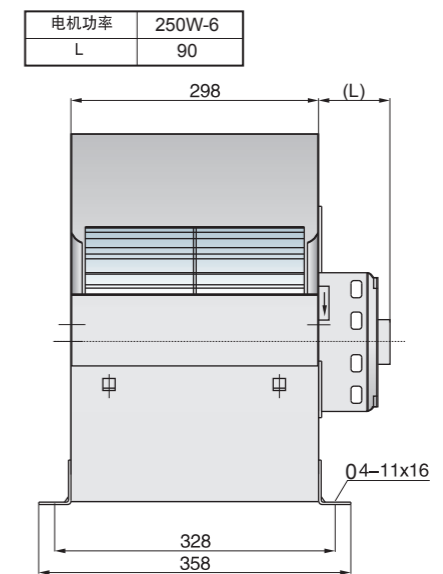
Overall Size



外形及安装尺寸

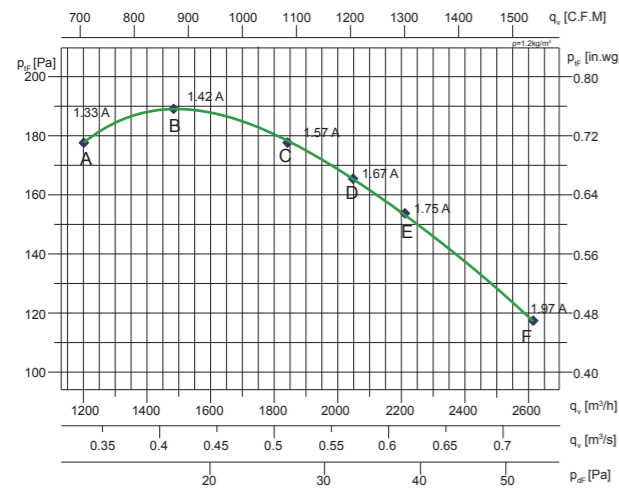


Overall Size



技术参数

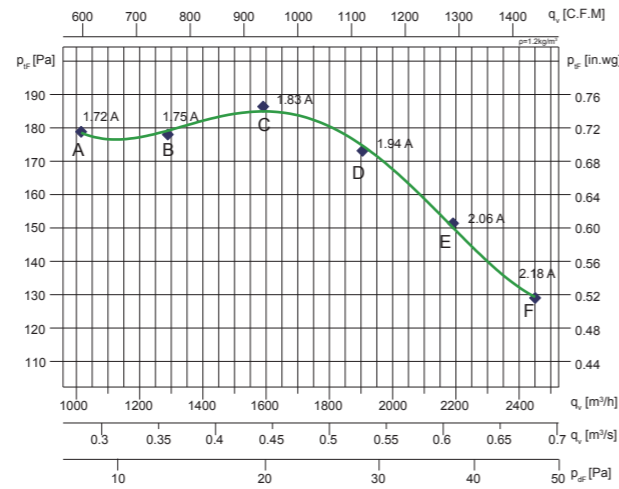
SYZ 9-9 III 250w-6



| Type: SYZ 9-9 III | | m: 12.3 kg | P_N : 250W-6P | | | | | | |
|-------------------|---------------------|---------------|-----------------|-------|------|------|------|------|------------------|
| | | U: 220 v | f_1 : 50HZ | | | | | | |
| | | I_N : 2.1 A | IP: IP20 | | | | | | |
| 工况点 | 风机转速 n (r/min) | 125Hz | 250Hz | 500Hz | 1kHz | 2kHz | 4kHz | 8kHz | $L_{w,a}$ dB (A) |
| A | 956 | 57.3 | 60.5 | 58.7 | 60.9 | 58.9 | 56.4 | 50.3 | 67.0 |
| B | 948 | 55.6 | 60.4 | 59.1 | 62.0 | 60.7 | 58.5 | 52.7 | 67.7 |
| C | 934 | 55.8 | 60.9 | 61.5 | 64.2 | 62.9 | 61.4 | 55.9 | 69.7 |
| D | 927 | 57.5 | 62.7 | 63.2 | 65.7 | 64.7 | 63.3 | 58.0 | 71.5 |
| E | 918 | 57.8 | 63.4 | 64.4 | 66.8 | 65.8 | 64.6 | 59.4 | 72.5 |
| F | 895 | 59.6 | 65.8 | 66.8 | 69.6 | 68.9 | 68.1 | 62.4 | 75.4 |

Technical Data

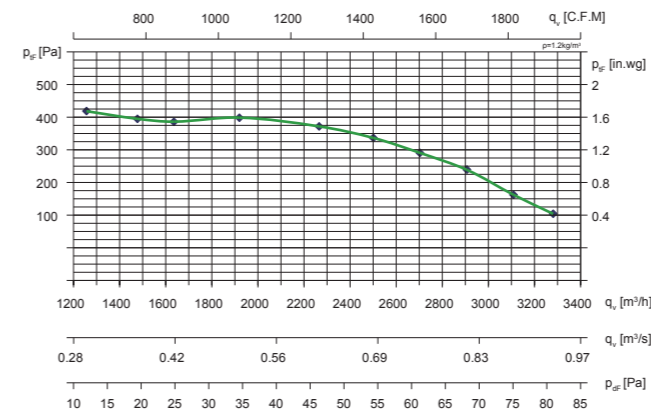
SYZ 9-9 III 375w-6



| Type: SYZ 9-9 III | | m: 14.75 kg | P_N : 375W-6P | | | | | | |
|-------------------|---------------------|---------------|-----------------|-------|------|------|------|------|------------------|
| | | U: 220 v | f_1 : 50HZ | | | | | | |
| | | I_N : 3.5 A | IP: IP20 | | | | | | |
| 工况点 | 风机转速 n (r/min) | 125Hz | 250Hz | 500Hz | 1kHz | 2kHz | 4kHz | 8kHz | $L_{w,a}$ dB (A) |
| A | 967 | 60.8 | 66.2 | 61.3 | 61.8 | 59.4 | 57.5 | 50.6 | 69.9 |
| B | 961 | 60.3 | 65.5 | 61.0 | 62.3 | 60.3 | 58.7 | 52.8 | 69.8 |
| C | 953 | 58.7 | 63.6 | 61.6 | 64.3 | 63.8 | 61.7 | 55.6 | 70.6 |
| D | 942 | 59.1 | 64.2 | 63.6 | 65.8 | 64.4 | 63.2 | 58.0 | 71.8 |
| E | 930 | 60.4 | 65.0 | 65.7 | 68.2 | 66.9 | 65.8 | 60.7 | 73.9 |
| F | 920 | 60.8 | 65.9 | 67.2 | 70.1 | 68.8 | 68.0 | 62.9 | 75.6 |

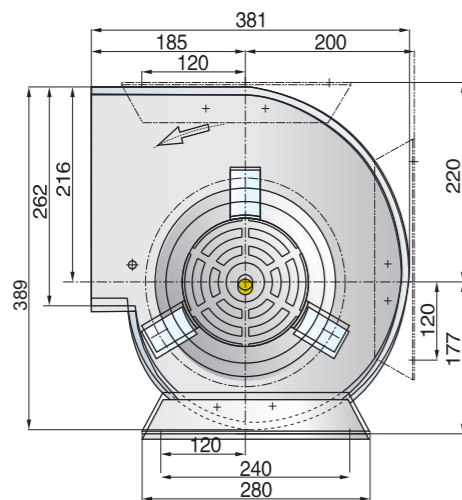
技术参数

SYZ 9-9 III 450w-4

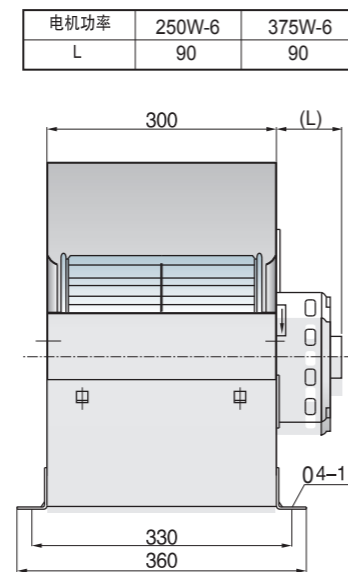


| Type: SYZ 9-9 III | | m: 14.95 kg | P_N : 450W-4P | | | | | | |
|-------------------|---------------------|---------------|-----------------|-------|------|------|------|------|------------------|
| | | U: 220 v | f_1 : 50HZ | | | | | | |
| | | I_N : 5.0 A | IP: IP20 | | | | | | |
| 工况点 | 风机转速 n (r/min) | 125Hz | 250Hz | 500Hz | 1kHz | 2kHz | 4kHz | 8kHz | $L_{w,a}$ dB (A) |
| A | 1399 | 67.9 | 72.3 | 69.9 | 71.2 | 69.5 | 67.5 | 61.7 | 77.9 |
| B | 1368 | 67.7 | 71.4 | 68.6 | 70.1 | 68.7 | 67.1 | 62.1 | 77.1 |
| C | 1301 | 62.8 | 69.9 | 69.6 | 72.1 | 70.9 | 69.4 | 64.7 | 77.9 |
| D | 1258 | 62.9 | 71.4 | 70.5 | 73.6 | 71.7 | 70.5 | 65.8 | 79.0 |
| E | 1203 | 63.4 | 70.5 | 70.3 | 73.8 | 72.5 | 71.6 | 66.8 | 79.3 |
| F | 1040 | 63.4 | 72.4 | 71.8 | 76.1 | 73.9 | 73.3 | 68.4 | 81.1 |

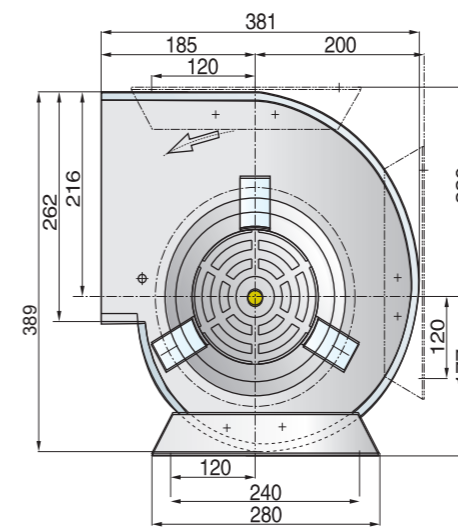
外形及安装尺寸



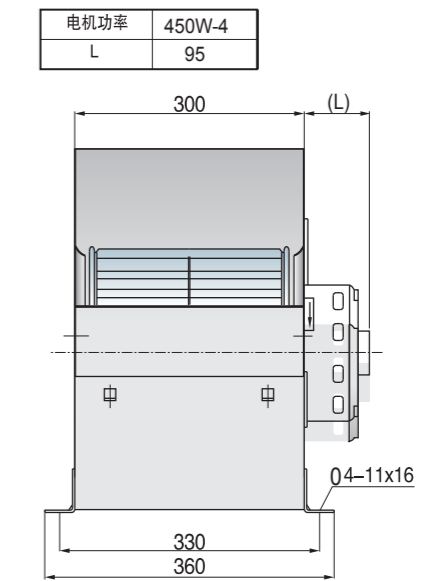
Overall Size



外形及安装尺寸

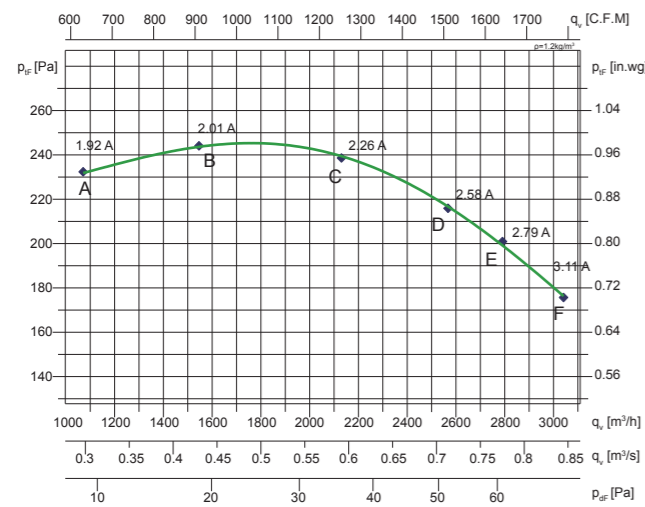


Overall Size



技术参数

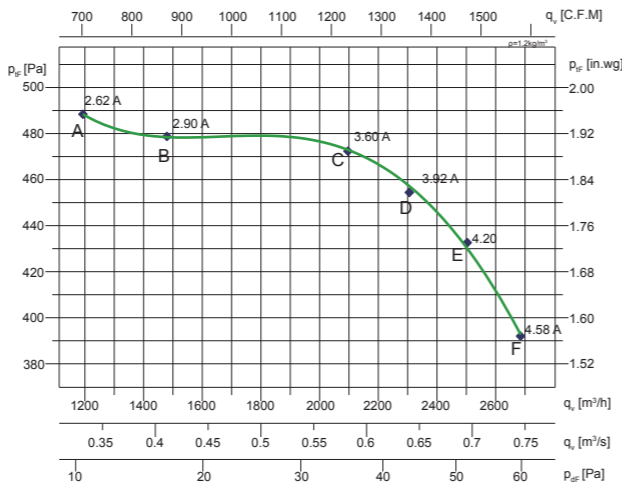
SYZ 10-8 I 375w-6



| Type: SYZ 10-8 I | m: 17.1 kg | P _N : 375W-6P | | | | | | | |
|------------------|------------------------|--------------------------|-------|-------|------|------|------|------|------------------------|
| | U: 220 v | f _i : 50HZ | | | | | | | |
| | I _N : 3.5 A | IP: IP20 | | | | | | | |
| 工况点 | 风机转速 n(r/min) | 125Hz | 250Hz | 500Hz | 1kHz | 2kHz | 4kHz | 8kHz | L _{wa} dB (A) |
| A | 959 | 63.3 | 62.7 | 61.5 | 63.0 | 61.0 | 58.5 | 47.5 | 69.8 |
| B | 943 | 61.6 | 62.0 | 61.3 | 64.3 | 62.3 | 60.7 | 50.2 | 70.0 |
| C | 914 | 58.7 | 62.2 | 62.6 | 66.5 | 65.0 | 64.6 | 55.0 | 71.8 |
| D | 882 | 58.7 | 63.4 | 65.1 | 69.0 | 68.0 | 68.0 | 59.5 | 74.4 |
| E | 865 | 59.1 | 64.6 | 66.3 | 70.5 | 69.9 | 69.8 | 61.8 | 76.0 |
| F | 835 | 59.3 | 65.6 | 67.7 | 72.1 | 71.8 | 71.8 | 64.3 | 77.8 |

Technical Data

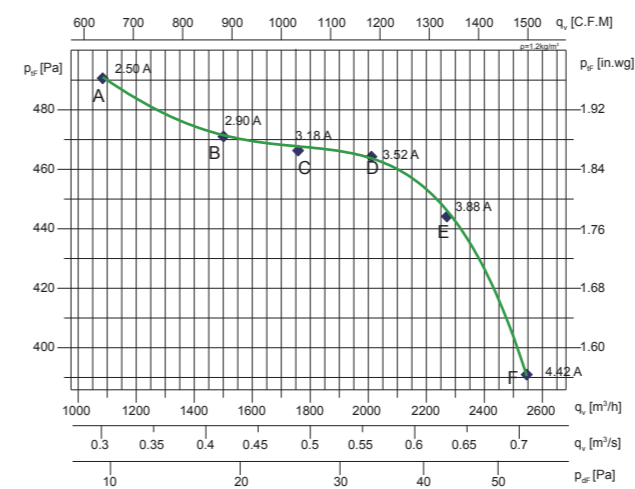
SYZ 10-8 I 550w-4



| Type: SYZ 10-8 I | m: 17.65 kg | P _N : 550W-4P | | | | | | | |
|------------------|------------------------|--------------------------|-------|-------|------|------|------|------|------------------------|
| | U: 220 v | f _i : 50HZ | | | | | | | |
| | I _N : 4.9 A | IP: IP20 | | | | | | | |
| 工况点 | 风机转速 n(r/min) | 125Hz | 250Hz | 500Hz | 1kHz | 2kHz | 4kHz | 8kHz | L _{wa} dB (A) |
| A | 1396 | 66.6 | 71.5 | 68.1 | 70.8 | 69.2 | 68.3 | 60.5 | 77.3 |
| B | 1372 | 66.6 | 71.5 | 68.1 | 70.8 | 69.2 | 68.3 | 60.5 | 77.3 |
| C | 1301 | 60.3 | 68.2 | 66.1 | 72.0 | 69.8 | 69.6 | 62.2 | 76.8 |
| D | 1269 | 60.6 | 68.2 | 66.5 | 73.0 | 70.4 | 70.3 | 63.0 | 77.5 |
| E | 1225 | 60.1 | 68.1 | 66.7 | 72.7 | 70.5 | 70.6 | 63.3 | 77.5 |
| F | 1172 | 60.2 | 67.8 | 67.3 | 72.7 | 71.0 | 71.0 | 63.6 | 77.7 |

技术参数

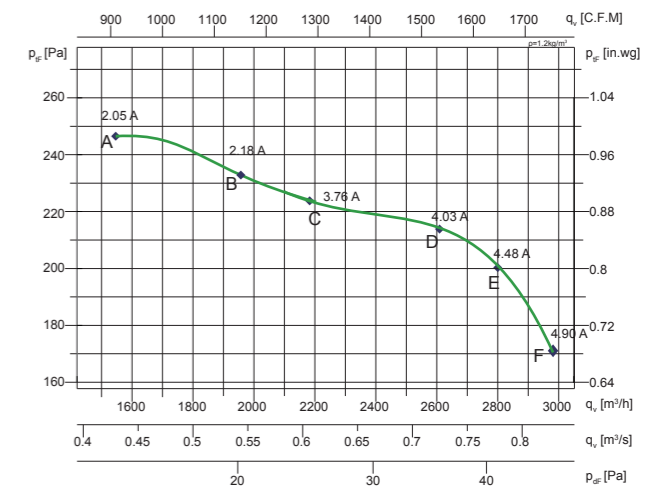
SYZ 10-8 II 550w-4



| Type: SYZ 10-8 II | m: 16.75 kg | P _N : 550W-4P | | | | | | | |
|-------------------|------------------------|--------------------------|-------|-------|------|------|------|------|------------------------|
| | U: 220 v | f _i : 50HZ | | | | | | | |
| | I _N : 4.9 A | IP: IP20 | | | | | | | |
| 工况点 | 风机转速 n(r/min) | 125Hz | 250Hz | 500Hz | 1kHz | 2kHz | 4kHz | 8kHz | L _{wa} dB (A) |
| A | 1405 | 65.0 | 70.8 | 68.6 | 70.4 | 68.0 | 67.3 | 59.3 | 76.6 |
| B | 1366 | 64.8 | 71.1 | 68.8 | 71.5 | 68.6 | 68.4 | 60.7 | 77.3 |
| C | 1342 | 61.9 | 68.9 | 66.8 | 71.3 | 68.6 | 69.0 | 61.6 | 76.5 |
| D | 1310 | 59.7 | 67.1 | 67.1 | 72.0 | 69.6 | 70.2 | 62.9 | 76.9 |
| E | 1252 | 58.5 | 66.3 | 67.2 | 73.1 | 70.5 | 71.3 | 64.2 | 77.6 |
| F | 1170 | 59.3 | 66.4 | 67.5 | 74.2 | 71.6 | 72.5 | 65.6 | 78.6 |

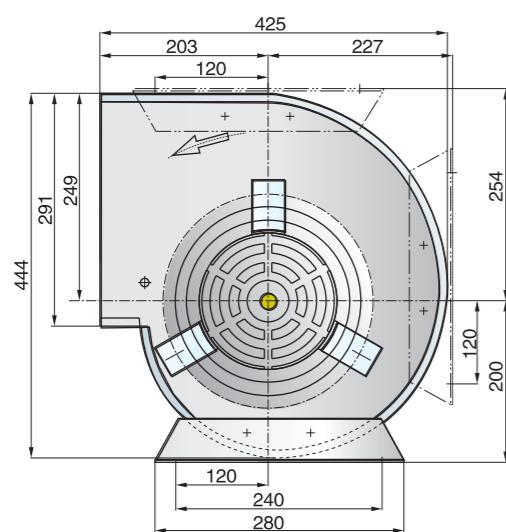
Technical Data

SYZ 10-8 II 375w-6

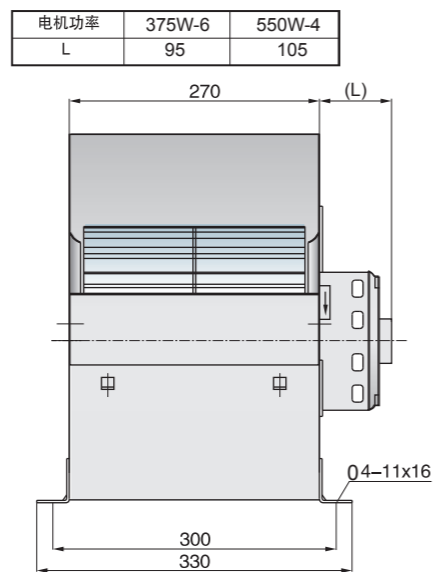


| Type: SYZ 10-8 II | m: 16.20 kg | P _N : 375W-6P | | | | | | | |
|-------------------|------------------------|--------------------------|-------|-------|------|------|------|------|------------------------|
| | U: 220 v | f _i : 50HZ | | | | | | | |
| | I _N : 3.5 A | IP: IP20 | | | | | | | |
| 工况点 | 风机转速 n(r/min) | 125Hz | 250Hz | 500Hz | 1kHz | 2kHz | 4kHz | 8kHz | L _{wa} dB (A) |
| A | 940 | 57.1 | 63.7 | 65.9 | 69.5 | 68.8 | 69.4 | 61.8 | 75.2 |
| B | 918 | 54.0 | 64.9 | 63.7 | 66.0 | 64.7 | 64.9 | 56.4 | 72.1 |
| C | 887 | 55.3 | 64.7 | 65.6 | 68.8 | 67.9 | 68.5 | 61.4 | 74.7 |
| D | 864 | 56.2 | 63.9 | 66.7 | 70.5 | 69.9 | 70.9 | 64.1 | 76.4 |
| E | 839 | 56.8 | 65.0 | 67.6 | 71.8 | 71.2 | 72.3 | 65.7 | 77.7 |
| F | 810 | 58.1 | 66.0 | 68.3 | 72.8 | 72.2 | 73.4 | 66.9 | 78.7 |

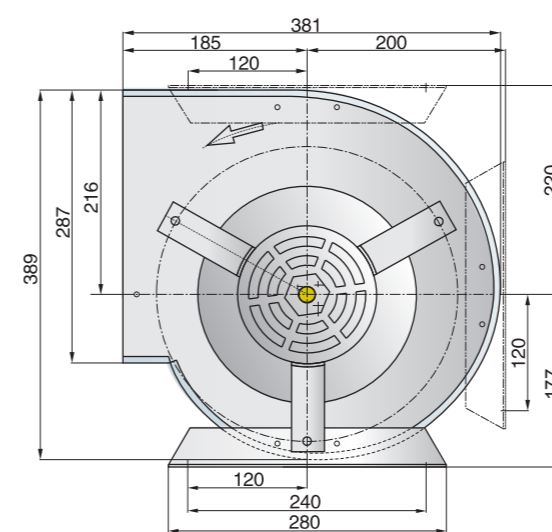
外形及安装尺寸



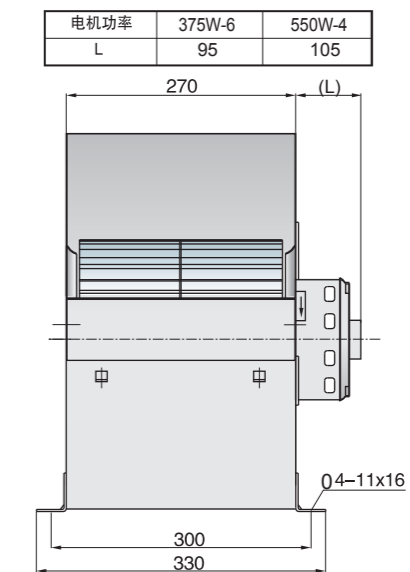
Overall Size



外形及安装尺寸

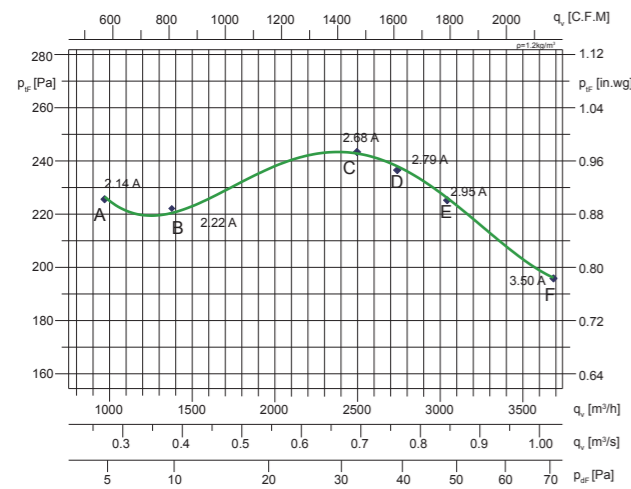


Overall Size



技术参数

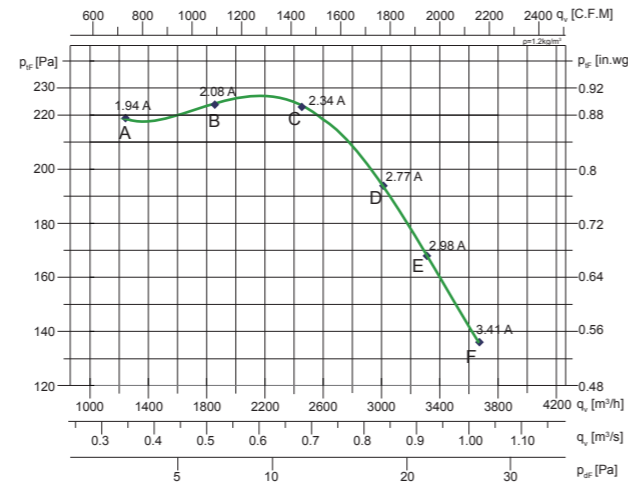
SYZ 10-10 I 450W-6



| Type: SYZ 10-10 I | m: 18.3 kg | P _N : 450W-6P | | | | | | | |
|-------------------|------------------------|--------------------------|-------|-------|------|------|------|------|-----------------------|
| | U: 220 v | f _i : 50HZ | | | | | | | |
| | I _N : 3.5 A | IP: IP20 | | | | | | | |
| 工况点 | 风机转速 n(r/min) | 125Hz | 250Hz | 500Hz | 1kHz | 2kHz | 4kHz | 8kHz | L _w dB (A) |
| A | 975 | 60.7 | 70.6 | 62.1 | 62.4 | 60.5 | 57.9 | 48.7 | 72.5 |
| B | 968 | 60.8 | 68.1 | 61.8 | 63.6 | 62.1 | 59.7 | 50.7 | 71.5 |
| C | 944 | 58.7 | 63.2 | 62.6 | 66.6 | 65.9 | 64.4 | 57.2 | 72.1 |
| D | 937 | 59.1 | 64.0 | 62.2 | 66.2 | 65.3 | 63.6 | 56.4 | 71.8 |
| E | 927 | 59.9 | 65.2 | 65.2 | 69.5 | 69.0 | 67.7 | 61.6 | 75.0 |
| F | 898 | 63.0 | 68.3 | 68.9 | 73.7 | 72.9 | 71.5 | 65.7 | 78.9 |

Technical Data

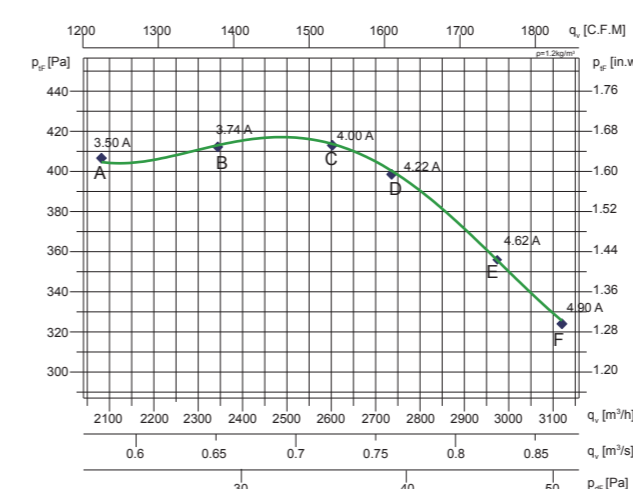
SYZ 10-10 I 375W-6



| Type: SYZ 10-10 I | m: 18.1 kg | P _N : 375W-6P | | | | | | | |
|-------------------|------------------------|--------------------------|-------|-------|------|------|------|------|-----------------------|
| | U: 220 v | f _i : 50HZ | | | | | | | |
| | I _N : 3.5 A | IP: IP20 | | | | | | | |
| 工况点 | 风机转速 n(r/min) | 125Hz | 250Hz | 500Hz | 1kHz | 2kHz | 4kHz | 8kHz | L _w dB (A) |
| A | 950 | 66.6 | 64.6 | 62.5 | 64.0 | 62.0 | 62.1 | 57.4 | 71.9 |
| B | 934 | 65.5 | 62.7 | 60.9 | 64.4 | 62.8 | 61.8 | 54.5 | 71.2 |
| C | 905 | 62.7 | 62.6 | 62.1 | 66.1 | 65.1 | 63.6 | 56.6 | 71.9 |
| D | 860 | 62.4 | 64.5 | 65.2 | 69.4 | 68.8 | 67.2 | 61.5 | 74.9 |
| E | 838 | 63.2 | 65.8 | 66.5 | 70.7 | 70.3 | 68.7 | 63.0 | 76.2 |
| F | 788 | 63.8 | 67.9 | 68.8 | 72.7 | 72.6 | 70.6 | 64.9 | 78.3 |

技术参数

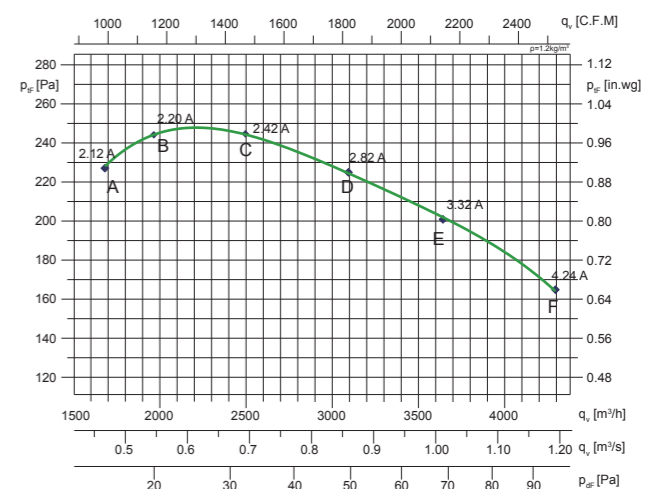
SYZ 10-10 I 550W-4



| Type: SYZ 10-10 I | m: 18.75 kg | P _N : 550W-4P | | | | | | | |
|-------------------|------------------------|--------------------------|-------|-------|------|------|------|------|-----------------------|
| | U: 220 v | f _i : 50HZ | | | | | | | |
| | I _N : 4.9 A | IP: IP20 | | | | | | | |
| 工况点 | 风机转速 n(r/min) | 125Hz | 250Hz | 500Hz | 1kHz | 2kHz | 4kHz | 8kHz | L _w dB (A) |
| A | 1314 | 63.5 | 71.3 | 68.7 | 69.4 | 68.1 | 66.2 | 59.4 | 76.0 |
| B | 1287 | 60.6 | 68.6 | 70.8 | 66.6 | 65.7 | 63.5 | 55.8 | 75.0 |
| C | 1242 | 58.1 | 66.3 | 61.9 | 64.5 | 63.4 | 61.1 | 53.1 | 71.1 |
| D | 1207 | 56.7 | 63.6 | 60.5 | 63.6 | 62.4 | 60.1 | 52.1 | 69.6 |
| E | 1145 | 52.9 | 59.5 | 58.8 | 62.4 | 61.1 | 58.5 | 50.1 | 67.5 |
| F | 1092 | 51.1 | 57.0 | 60.3 | 60.6 | 59.6 | 56.9 | 48.3 | 66.4 |

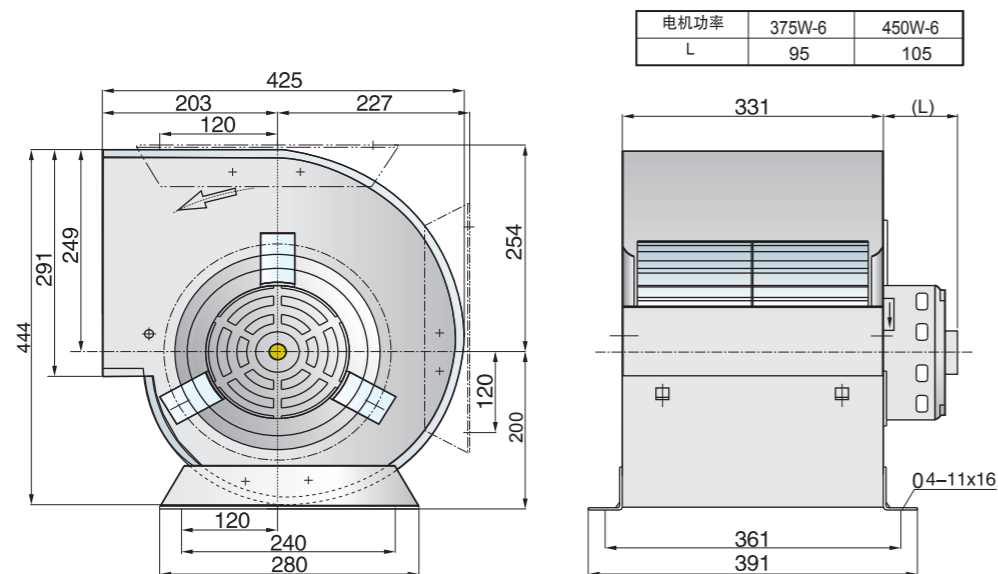
Technical Data

SYZ 10-10 I 550W-6



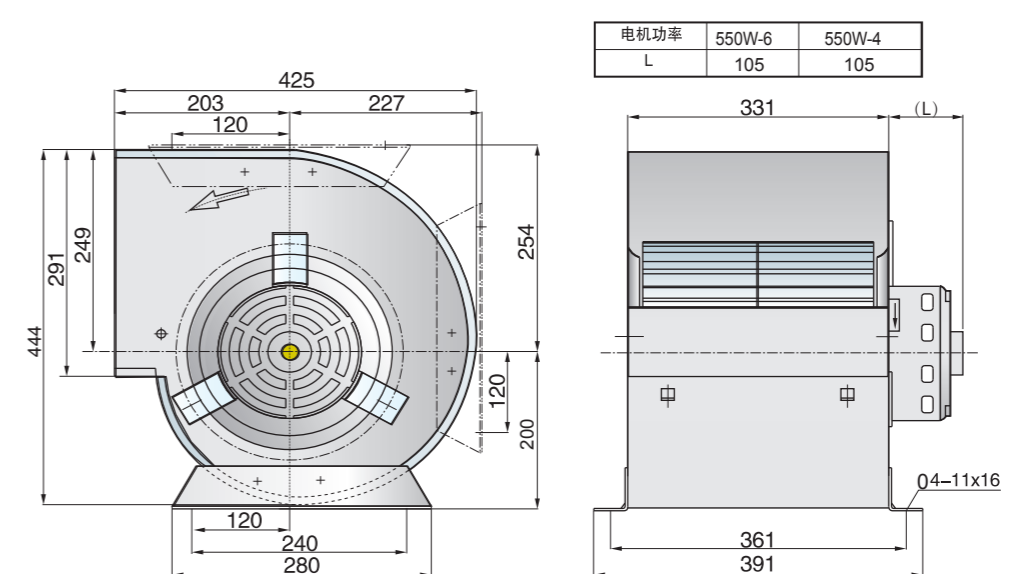
| Type: SYZ 10-10 I | m: 19.45 kg | P _N : 550W-6P | | | | | | | |
|-------------------|------------------------|--------------------------|-------|-------|------|------|------|------|-----------------------|
| | U: 220 v | f _i : 50HZ | | | | | | | |
| | I _N : 4.7 A | IP: IP20 | | | | | | | |
| 工况点 | 风机转速 n(r/min) | 125Hz | 250Hz | 500Hz | 1kHz | 2kHz | 4kHz | 8kHz | L _w dB (A) |
| A | 961 | 66.0 | 65.6 | 64.9 | 75.6 | 69.0 | 72.0 | 72.1 | 79.4 |
| B | 955 | 66.0 | 64.7 | 64.4 | 72.8 | 68.9 | 71.3 | 71.0 | 77.9 |
| C | 940 | 61.7 | 64.2 | 70.7 | 69.6 | 67.3 | 67.6 | 66.9 | 76.1 |
| D | 920 | 60.7 | 65.7 | 66.0 | 72.0 | 69.7 | 68.9 | 65.5 | 76.6 |
| E | 887 | 63.0 | 68.4 | 69.1 | 74.9 | 72.9 | 72.3 | 68.9 | 79.6 |
| F | 832 | 69.1 | 72.0 | 72.9 | 77.9 | 77.2 | 77.1 | 75.1 | 83.8 |

外形及安装尺寸



Overall Size

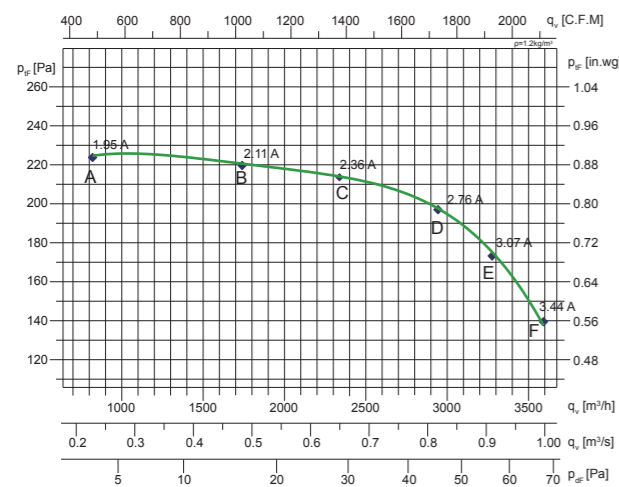
外形及安装尺寸



Overall Size

技术参数

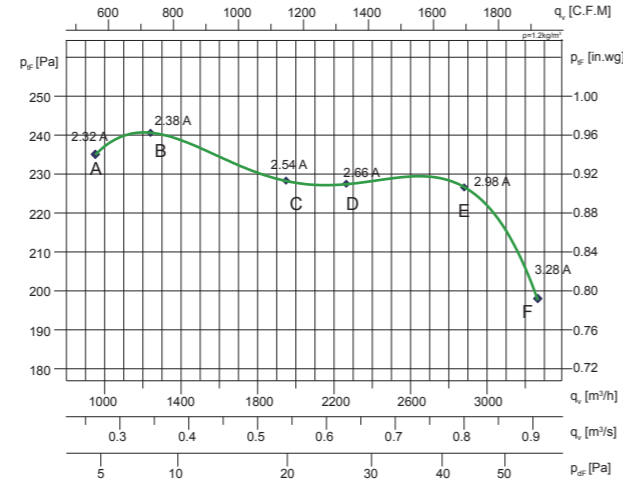
SYZ 10-10 II 375w-6



| Type: | m: 16.5 kg | P_N : 375W-6P | | | | | | | |
|--------------|------------------|-----------------|-------|-------|------|------|------|------|-----------------|
| SYZ 10-10 II | U: 220 v | f_1 : 50HZ | | | | | | | |
| | I_N : 3.5 A | IP: IP20 | | | | | | | |
| 工况点 | 风机转速 n(r/min) | 125Hz | 250Hz | 500Hz | 1kHz | 2kHz | 4kHz | 8kHz | L_{WA} dB (A) |
| A | 964 | 60.3 | 67.6 | 63.0 | 64.6 | 62.2 | 61.0 | 52.3 | 71.7 |
| B | 936 | 58.0 | 67.4 | 63.0 | 66.2 | 66.3 | 63.9 | 54.6 | 72.8 |
| C | 908 | 56.9 | 64.9 | 64.6 | 69.0 | 68.2 | 66.6 | 58.6 | 74.2 |
| D | 870 | 57.3 | 65.8 | 66.1 | 71.5 | 71.2 | 70.0 | 61.9 | 76.7 |
| E | 836 | 58.0 | 67.0 | 67.5 | 72.5 | 73.1 | 72.1 | 63.9 | 78.3 |
| F | 805 | 59.5 | 68.3 | 68.8 | 73.6 | 74.6 | 74.2 | 65.6 | 79.9 |

Technical Data

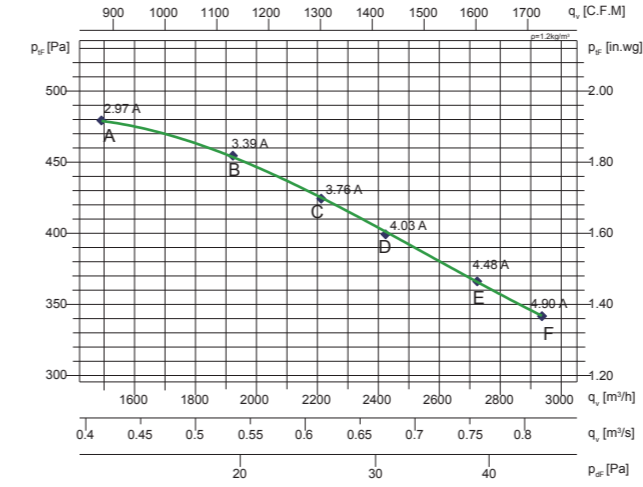
SYZ 10-10 II 450w-6



| Type: | m: 17.25 kg | P_N : 450W-6P | | | | | | | |
|--------------|------------------|-----------------|-------|-------|------|------|------|------|-----------------|
| SYZ 10-10 II | U: 220 v | f_1 : 50HZ | | | | | | | |
| | I_N : 3.7 A | IP: IP20 | | | | | | | |
| 工况点 | 风机转速 n(r/min) | 125Hz | 250Hz | 500Hz | 1kHz | 2kHz | 4kHz | 8kHz | L_{WA} dB (A) |
| A | 976 | 59.3 | 75.8 | 61.8 | 64.0 | 61.7 | 58.2 | 48.2 | 76.6 |
| B | 971 | 59.2 | 76.2 | 62.0 | 64.6 | 62.5 | 59.2 | 49.7 | 77.0 |
| C | 956 | 57.5 | 75.0 | 62.2 | 67.1 | 66.0 | 63.8 | 55.7 | 76.6 |
| D | 949 | 56.2 | 72.3 | 63.4 | 68.1 | 67.8 | 65.8 | 57.9 | 75.6 |
| E | 929 | 57.0 | 69.5 | 65.9 | 71.6 | 71.0 | 69.7 | 61.8 | 77.1 |
| F | 910 | 58.5 | 67.9 | 67.5 | 73.5 | 73.1 | 72.3 | 64.2 | 78.8 |

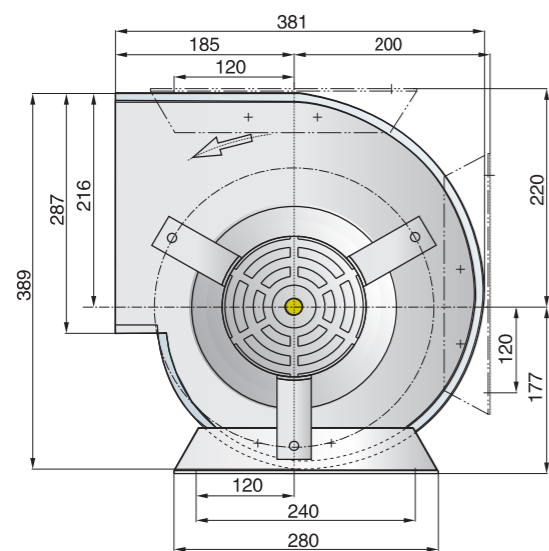
技术参数

SYZ 10-10 II 550w-4

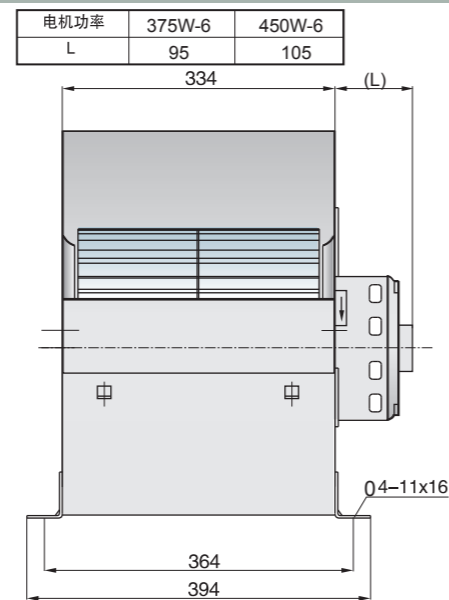


| Type: | m: 17.7 kg | P_N : 550W-4P | | | | | | | |
|--------------|------------------|-----------------|-------|-------|------|------|------|------|-----------------|
| SYZ 10-10 II | U: 220 v | f_1 : 50HZ | | | | | | | |
| | I_N : 4.9 A | IP: IP20 | | | | | | | |
| 工况点 | 风机转速 n(r/min) | 125Hz | 250Hz | 500Hz | 1kHz | 2kHz | 4kHz | 8kHz | L_{WA} dB (A) |
| A | 1370 | 53.5 | 58.7 | 61.3 | 66.2 | 67.7 | 62.6 | 53.3 | 71.6 |
| B | 1327 | 62.4 | 70.8 | 68.2 | 71.1 | 70.7 | 68.9 | 61.3 | 77.3 |
| C | 1286 | 61.1 | 69.4 | 66.3 | 70.5 | 70.4 | 69.3 | 62.0 | 76.7 |
| D | 1250 | 59.4 | 68.6 | 65.7 | 70.7 | 70.4 | 69.6 | 62.4 | 76.6 |
| E | 1203 | 57.8 | 67.4 | 65.8 | 71.8 | 70.7 | 70.2 | 63.2 | 76.9 |
| F | 1152 | 56.8 | 66.7 | 65.8 | 71.1 | 70.9 | 70.5 | 63.5 | 76.8 |

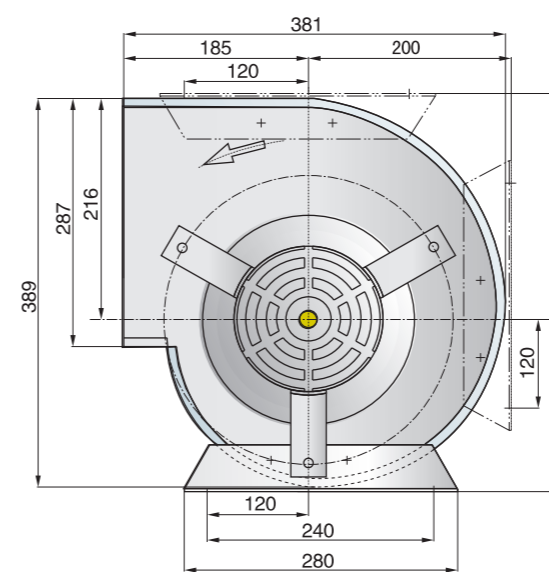
外形及安装尺寸



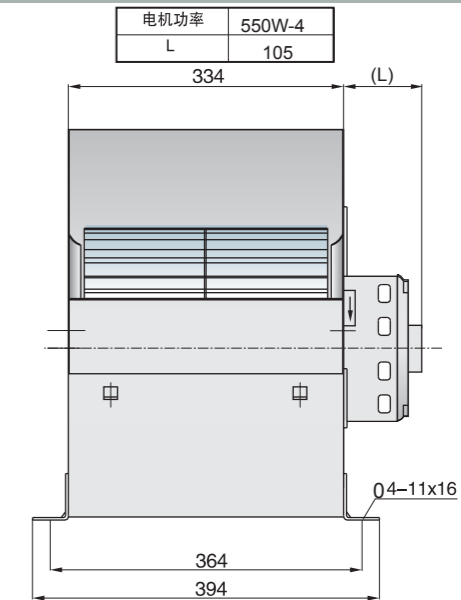
Overall Size



外形及安装尺寸

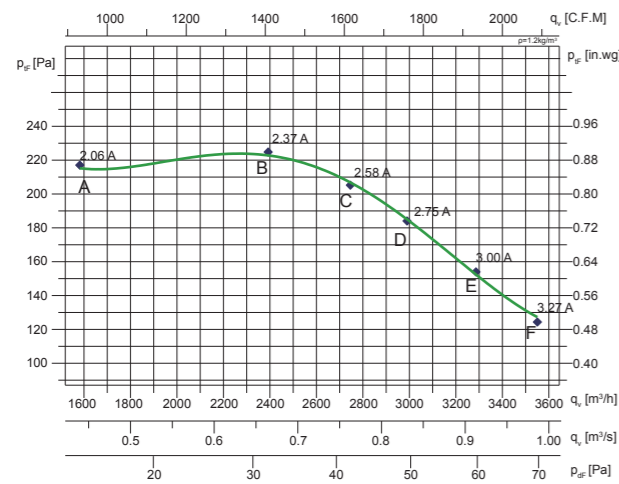


Overall Size



技术参数

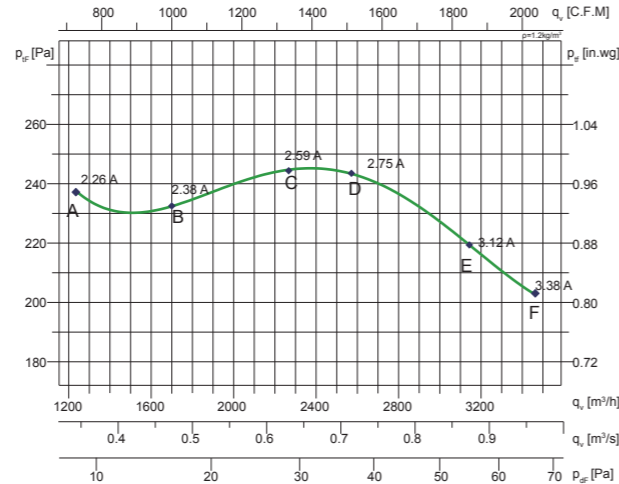
SYZ 10-10 III 375w-6



| Type: SYZ 10-10 III | m: 15.4 kg | P _N : 375W-6P | | | | | | | |
|------------------------|------------------------|--------------------------|-------|-------|------|------|------|------|-----------------------|
| | U: 220 v | f _i : 50HZ | | | | | | | |
| | I _N : 3.5 A | IP: IP20 | | | | | | | |
| 工况点 | 风机转速 n(r/min) | 125Hz | 250Hz | 500Hz | 1kHz | 2kHz | 4kHz | 8kHz | L _w dB (A) |
| A | 936 | 60.4 | 67.0 | 63.3 | 66.2 | 64.5 | 61.7 | 53.1 | 72.3 |
| B | 901 | 58.1 | 66.9 | 63.6 | 67.9 | 66.4 | 64.5 | 59.5 | 73.4 |
| C | 881 | 58.8 | 67.1 | 64.7 | 68.4 | 67.1 | 64.7 | 57.8 | 73.9 |
| D | 865 | 58.5 | 67.6 | 66.1 | 69.5 | 68.5 | 66.1 | 59.6 | 75.0 |
| E | 838 | 61.0 | 69.4 | 67.4 | 70.8 | 70.4 | 67.7 | 61.4 | 76.6 |
| F | 811 | 61.8 | 70.2 | 69.5 | 72.5 | 71.9 | 69.3 | 63.2 | 78.1 |

Technical Data

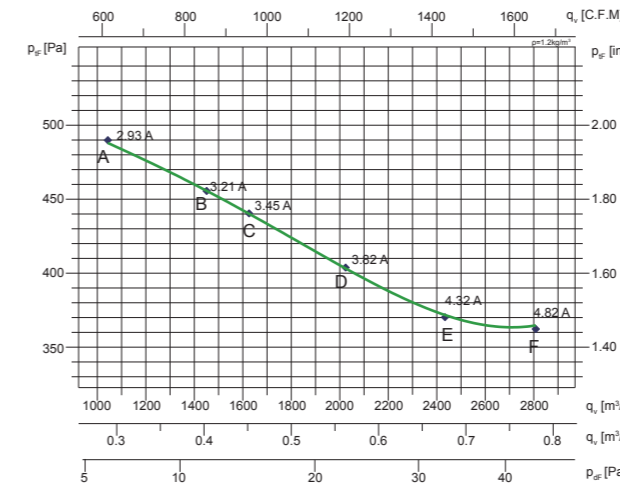
SYZ 10-10 III 450w-6



| Type: SYZ 10-10 III | m: 16.25 kg | P _N : 450W-6P | | | | | | | |
|------------------------|------------------------|--------------------------|-------|-------|------|------|------|------|-----------------------|
| | U: 220 v | f _i : 50HZ | | | | | | | |
| | I _N : 3.7 A | IP: IP20 | | | | | | | |
| 工况点 | 风机转速 n(r/min) | 125Hz | 250Hz | 500Hz | 1kHz | 2kHz | 4kHz | 8kHz | L _w dB (A) |
| A | 967 | 65.3 | 69.8 | 66.0 | 66.8 | 64.6 | 62.3 | 53.9 | 74.2 |
| B | 956 | 64.6 | 70.5 | 65.0 | 67.0 | 64.8 | 62.3 | 54.7 | 74.4 |
| C | 943 | 61.3 | 69.3 | 64.5 | 67.9 | 66.1 | 63.9 | 56.9 | 74.1 |
| D | 934 | 60.8 | 68.0 | 65.0 | 68.7 | 67.1 | 65.1 | 58.2 | 74.3 |
| E | 912 | 60.2 | 68.2 | 67.0 | 71.1 | 69.8 | 67.6 | 61.4 | 76.3 |
| F | 900 | 61.9 | 70.8 | 68.7 | 72.5 | 71.5 | 69.4 | 63.3 | 78.0 |

技术参数

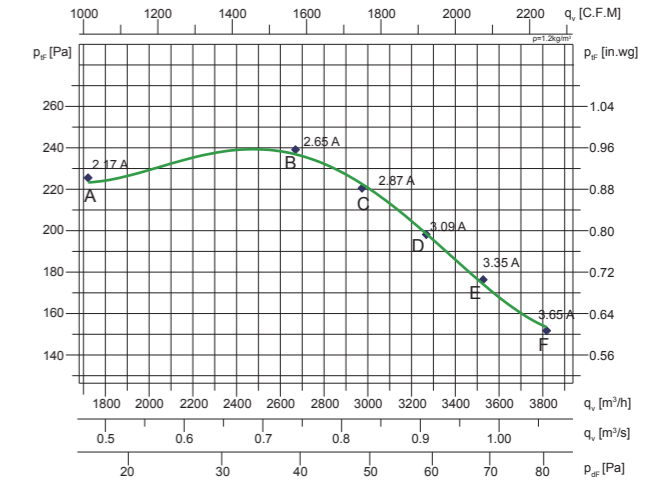
SYZ 10-10 III 550w-4



| Type: SYZ 10-10 III | m: 16.7 kg | P _N : 550W-4P | | | | | | | |
|------------------------|------------------------|--------------------------|-------|-------|------|------|------|------|-----------------------|
| | U: 220 v | f _i : 50HZ | | | | | | | |
| | I _N : 4.9 A | IP: IP20 | | | | | | | |
| 工况点 | 风机转速 n(r/min) | 125Hz | 250Hz | 500Hz | 1kHz | 2kHz | 4kHz | 8kHz | L _w dB (A) |
| A | 1370 | 69.6 | 76.3 | 72.4 | 74.1 | 73.2 | 71.0 | 64.4 | 81.2 |
| B | 1345 | 69.2 | 75.6 | 70.8 | 73.1 | 72.1 | 69.7 | 63.5 | 80.2 |
| C | 1314 | 68.8 | 76.2 | 72.0 | 73.8 | 72.9 | 70.5 | 63.9 | 80.9 |
| D | 1273 | 67.9 | 74.4 | 69.9 | 72.6 | 71.5 | 69.0 | 62.9 | 79.3 |
| E | 1198 | 64.8 | 72.2 | 67.8 | 72.0 | 70.7 | 68.4 | 62.4 | 77.9 |
| F | 1121 | 63.4 | 71.1 | 67.4 | 72.0 | 71.0 | 68.8 | 62.5 | 77.6 |

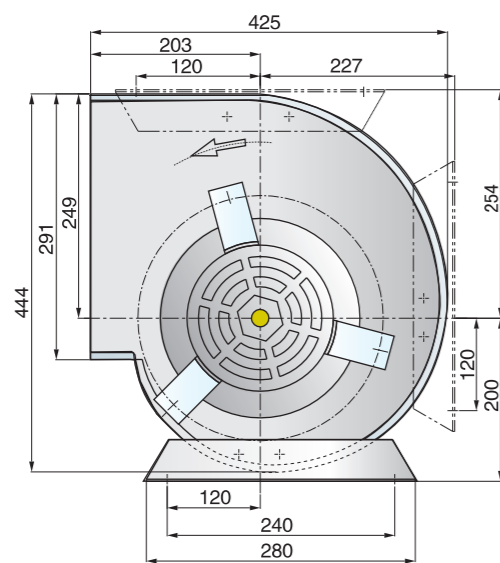
Technical Data

SYZ 10-10 III 550w-6

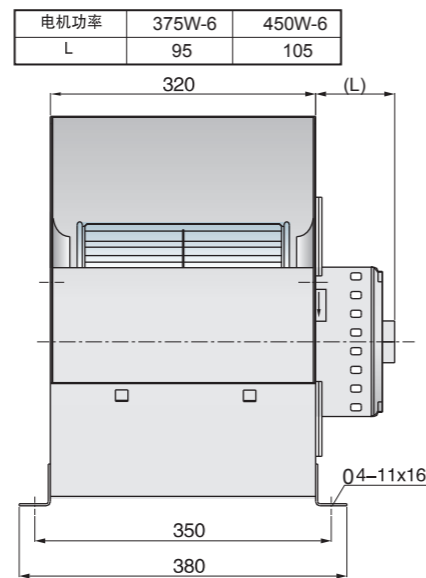


| Type: SYZ 10-10 III | m: 18.3 kg | P _N : 550W-6P | | | | | | | |
|------------------------|------------------------|--------------------------|-------|-------|------|------|------|------|-----------------------|
| | U: 220 v | f _i : 50HZ | | | | | | | |
| | I _N : 4.7 A | IP: IP20 | | | | | | | |
| 工况点 | 风机转速 n(r/min) | 125Hz | 250Hz | 500Hz | 1kHz | 2kHz | 4kHz | 8kHz | L _w dB (A) |
| A | 957 | 61.7 | 71.1 | 64.0 | 66.8 | 64.2 | 62.0 | 54.8 | 74.2 |
| B | 929 | 59.8 | 69.4 | 65.8 | 69.6 | 68.2 | 65.9 | 59.3 | 75.3 |
| C | 919 | 61.9 | 69.6 | 67.2 | 71.1 | 69.6 | 67.3 | 60.8 | 76.5 |
| D | 906 | 61.3 | 70.9 | 68.4 | 72.3 | 71.2 | 69.1 | 62.6 | 77.8 |
| E | 889 | 63.1 | 71.4 | 69.8 | 73.5 | 72.8 | 70.8 | 64.4 | 79.1 |
| F | 872 | 63.5 | 71.4 | 71.4 | 75.2 | 74.4 | 72.6 | 66.1 | 80.5 |

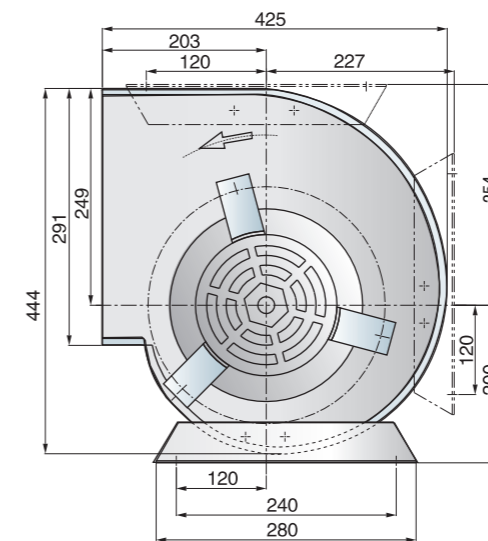
外形及安装尺寸



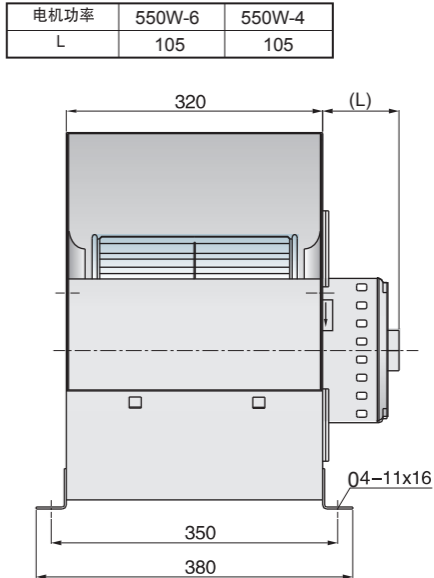
Overall Size



外形及安装尺寸

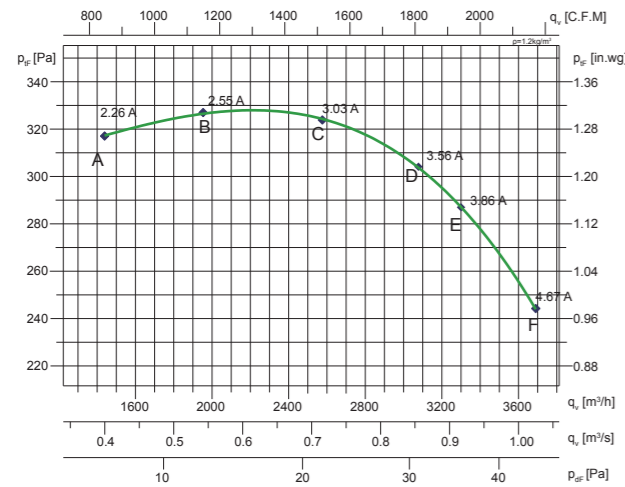


Overall Size



技术参数

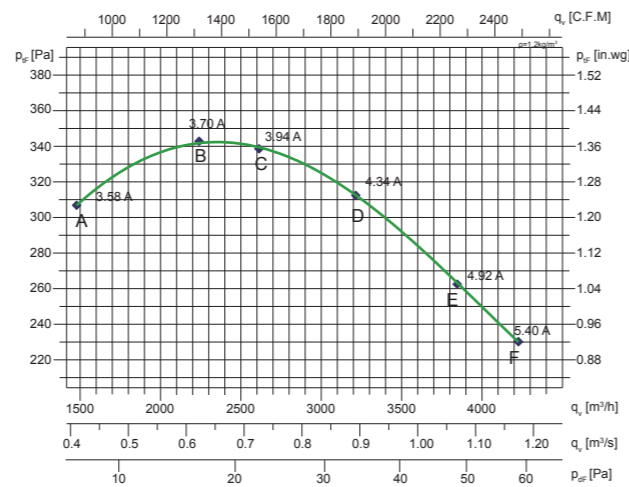
SYZ 12-9 I 550w-6



| Type: SYZ 12-9 I | | m: 22.4 kg | P _N : 550W-6P | | | | | | |
|------------------|---------------|------------------------|--------------------------|-------|------|------|------|------|------------------------|
| | | U: 220 v | f _i : 50HZ | | | | | | |
| | | I _N : 4.7 A | IP: IP20 | | | | | | |
| 工况点 | 风机转速 n(r/min) | 125Hz | 250Hz | 500Hz | 1kHz | 2kHz | 4kHz | 8kHz | L _{wm} dB (A) |
| A | 950 | 60.9 | 69.7 | 64.8 | 66.7 | 63.8 | 62.5 | 52.7 | 73.5 |
| B | 934 | 61.6 | 67.0 | 64.8 | 67.4 | 65.0 | 64.0 | 53.6 | 73.2 |
| C | 906 | 61.4 | 66.7 | 66.5 | 68.5 | 66.7 | 65.8 | 55.1 | 74.2 |
| D | 874 | 60.6 | 65.6 | 68.6 | 70.1 | 68.4 | 68.3 | 57.5 | 75.6 |
| E | 848 | 61.8 | 65.5 | 68.8 | 70.8 | 69.4 | 69.5 | 59.4 | 76.3 |
| F | 791 | 62.6 | 65.5 | 69.7 | 71.8 | 70.7 | 71.1 | 62.4 | 77.5 |

Technical Data

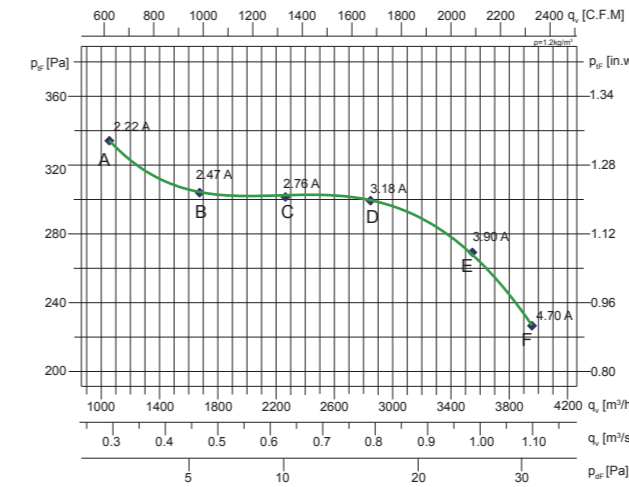
SYZ 12-9 I 750w-6



| Type: SYZ 12-9 I | | m: 22.8 kg | P _N : 750W-6P | | | | | | |
|------------------|---------------|------------------------|--------------------------|-------|------|------|------|------|------------------------|
| | | U: 220 v | f _i : 50HZ | | | | | | |
| | | I _N : 5.4 A | IP: IP20 | | | | | | |
| 工况点 | 风机转速 n(r/min) | 125Hz | 250Hz | 500Hz | 1kHz | 2kHz | 4kHz | 8kHz | L _{wm} dB (A) |
| A | 962 | 61.9 | 66.3 | 65.4 | 67.4 | 63.9 | 62.4 | 52.7 | 72.8 |
| B | 944 | 62.2 | 66.2 | 65.7 | 68.1 | 65.3 | 64.3 | 55.1 | 73.5 |
| C | 934 | 62.3 | 67.0 | 66.6 | 68.9 | 66.3 | 65.6 | 56.8 | 74.4 |
| D | 915 | 65.8 | 68.1 | 69.3 | 71.5 | 68.8 | 68.4 | 60.3 | 76.8 |
| E | 892 | 63.8 | 71.7 | 71.9 | 75.0 | 72.3 | 71.7 | 63.8 | 79.9 |
| F | 874 | 62.4 | 70.0 | 72.1 | 76.2 | 73.5 | 73.2 | 65.4 | 80.7 |

技术参数

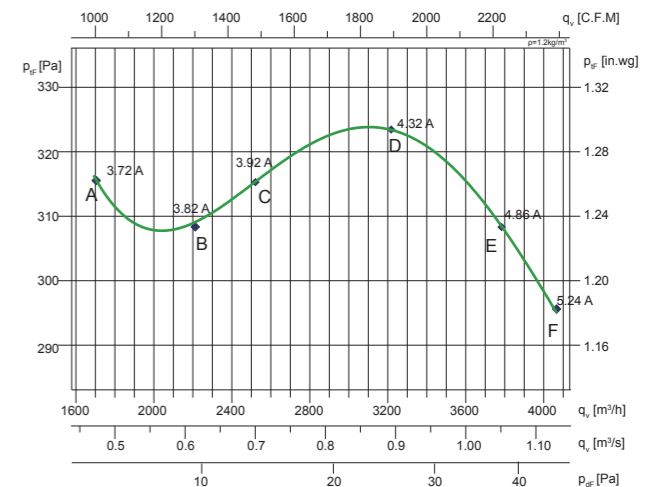
SYZ 12-12 I 550w-6



| Type: SYZ 12-12 I | | m: 22.8 kg | P _N : 550W-6P | | | | | | |
|-------------------|---------------|------------------------|--------------------------|-------|------|------|------|------|------------------------|
| | | U: 220 v | f _i : 50HZ | | | | | | |
| | | I _N : 4.7 A | IP: IP20 | | | | | | |
| 工况点 | 风机转速 n(r/min) | 125Hz | 250Hz | 500Hz | 1kHz | 2kHz | 4kHz | 8kHz | L _{wm} dB (A) |
| A | 956 | 61.3 | 71.6 | 65.7 | 66.2 | 64.4 | 62.7 | 54.0 | 74.5 |
| B | 939 | 62.0 | 65.7 | 64.8 | 65.9 | 63.5 | 61.5 | 52.6 | 72.1 |
| C | 922 | 61.7 | 67.4 | 64.3 | 65.9 | 64.0 | 62.3 | 53.0 | 72.5 |
| D | 910 | 61.8 | 66.7 | 65.2 | 66.9 | 65.7 | 64.0 | 54.3 | 73.2 |
| E | 847 | 61.9 | 64.1 | 66.2 | 67.2 | 66.0 | 64.4 | 55.6 | 73.1 |
| F | 785 | 61.2 | 64.0 | 66.9 | 68.0 | 67.3 | 65.9 | 58.3 | 74.0 |

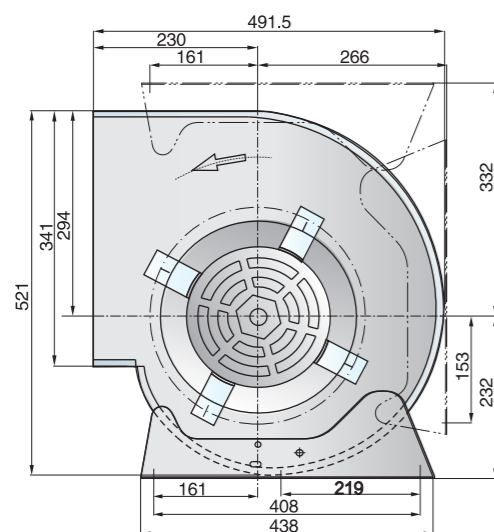
Technical Data

SYZ 12-12 I 750w-6

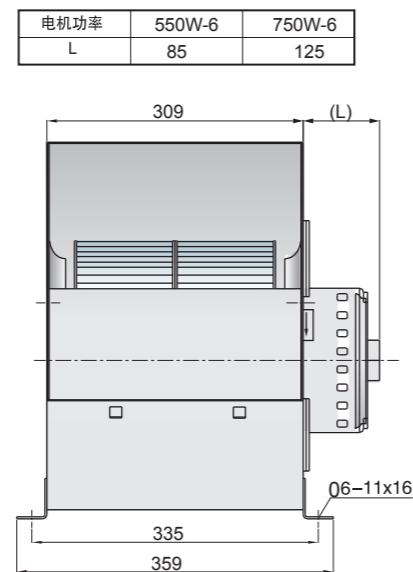


| Type: SYZ 12-12 I | | m: 24.4 kg | P _N : 750W-6P | | | | | | |
|-------------------|---------------|------------------------|--------------------------|-------|------|------|------|------|------------------------|
| | | U: 220 v | f _i : 50HZ | | | | | | |
| | | I _N : 5.4 A | IP: IP20 | | | | | | |
| 工况点 | 风机转速 n(r/min) | 125Hz | 250Hz | 500Hz | 1kHz | 2kHz | 4kHz | 8kHz | L _{wm} dB (A) |
| A | 955 | 64.3 | 80.8 | 68.7 | 65.6 | 64.1 | 62.1 | 54.3 | 81.4 |
| B | 947 | 64.9 | 83.8 | 66.8 | 66.2 | 64.4 | 62.2 | 54.2 | 84.1 |
| C | 936 | 62.2 | 72.3 | 70.4 | 69.3 | 64.9 | 63.4 | 55.3 | 76.4 |
| D | 912 | 62.5 | 73.0 | 65.8 | 66.9 | 66.1 | 64.8 | 56.2 | 75.8 |
| E | 890 | 62.9 | 71.7 | 67.4 | 68.1 | 67.8 | 66.6 | 61.0 | 76.1 |
| F | 873 | 62.4 | 67.3 | 67.8 | 68.8 | 69.0 | 67.8 | 62.9 | 75.6 |

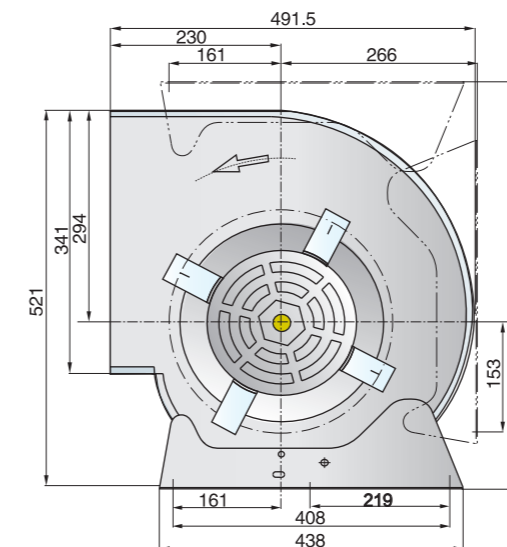
外形及安装尺寸



Overall Size



外形及安装尺寸



Overall Size

